

NAD SERVICE MANUAL

For Service Manuals Contact
MAURITRON TECHNICAL SERVICES
8 Cherry Tree Rd, Chinnor
Oxon OX9 4QY
Tel:- 01844-351694 Fax:- 01844-352554
Email:- enquiries@mauritron.co.uk

For Service Manuals Contact
MAURITRON TECHNICAL SERVICES
8 Cherry Tree Rd, Chinnor
Oxon OX9 4QY
Tel:- 01844-351694 Fax:- 01844-352554
Email:- enquiries@mauritron.co.uk

3240PE

INTEGRATED AMPLIFIER

CONTENTS
-3240PE-

REAR / FRONT PANEL CONNECTIONS	PAGE 3
SPECIFICATIONS	PAGE 4
ALIGNMENT METHOD	PAGE 5
AMPLIFIER PCB LAYOUT AND WIRING DIAGRAM	PAGE 6 - 8
SCHEMATIC DIAGRAM	PAGE 9 - 10
PCB COMPONENT LOCATION	PAGE 11 - 13
EXPLODED VIEW	PAGE 14
PARTS LIST, EXPLODED VIEW	PAGE 15 - 17
PACKING DIAGRAM	PAGE 17 - 18

REAR PANEL

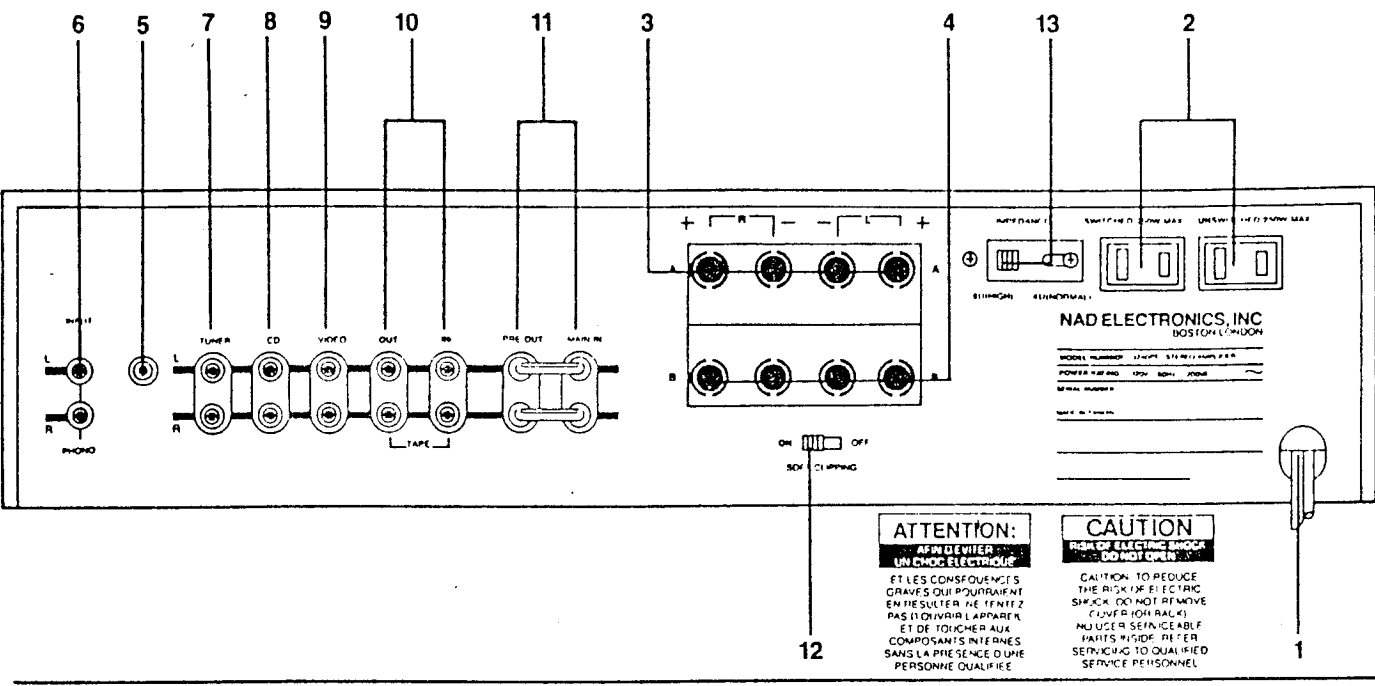
- 1. AC Line Cord
- 2. AC Convenience Outlets
- 3. Speakers A
- 4. Speakers B
- 5. Phono Ground
- 6. Phono Input
- 7. Tuner Input
- 8. CD Input
- 9. Video Input
- 10. Tape Input/Output
- 11. Preamp Out. Main In
- 12. Soft Clipping
- 13. Speaker Impedance

LE PANNEAU ARRIERE

- 1. Cordon d'alimentation
- 2. Prises CA
- 3. Enceintes A
- 4. Enceintes B
- 5. Masse phonocetteur
- 6. Entrée phono
- 7. Entrée tuner
- 8. Entrée lecteur de disque compact
- 9. Entrée vidéo
- 10. Entrée-Sortie magnétophone
- 11. Sortie de préamplification
- 12. Ecrêtage en douceur
- 13. Impédance

RUCKSEITE

- 1. Netzkabel
- 2. Sekundär-Steckdosen
- 3. Anschlüsse für Lautsprechergruppe A
- 4. Anschlüsse für Lautsprechergruppe B
- 5. Masseanschluss für Plattenspieler
- 6. Plattenspieler-Eingang
- 7. Tuner-Eingang
- 8. CD-Eingang
- 9. Video
- 10. Tonanlage at Eingang Ausgang
- 11. Vorverstärker Ausgang Endverstärker Eingang
- 12. Impulsengrenzungs Schalter
- 13. Lautsprecherimpedanz Schalter



FRONT PANEL

- 1. Power
- 2. Phones
- 3. Speaker Selector
- 4. Bass
- 5. Treble
- 6. Bass EQ
- 7. Infrasonic Filter Off
- 8. Mono
- 9. Tape Monitor
- 10. Input Selector
- 11. Low Level
- 12. Loudness
- 13. Volume/Balance

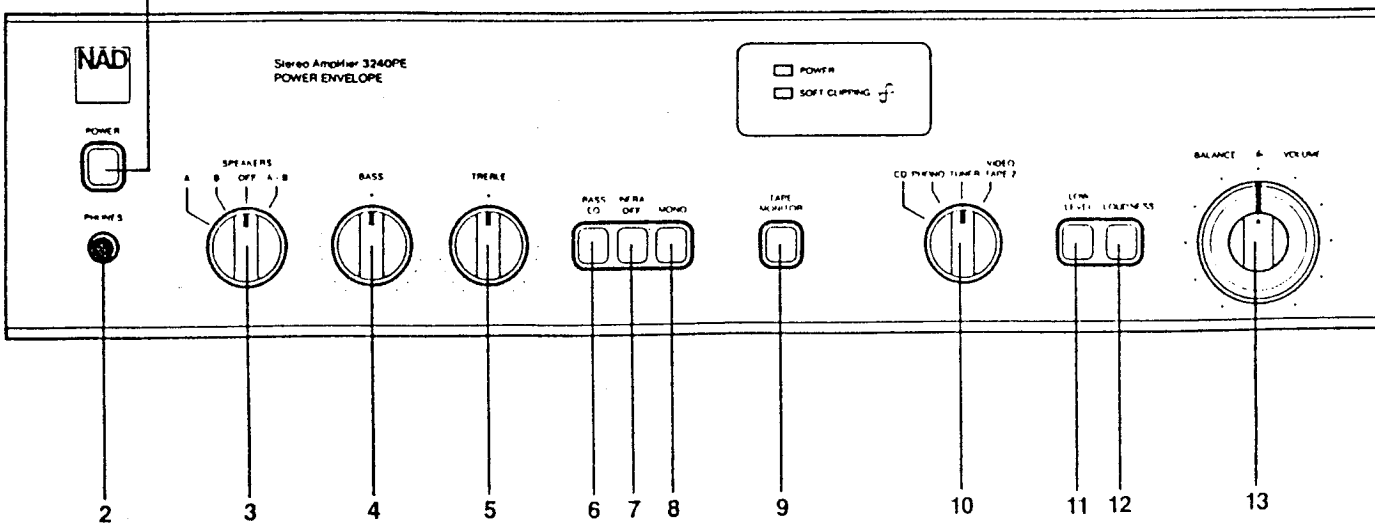
LE PANNEAU AVANT

- 1. Alimentation
- 2. Casque d'écoute
- 3. Sélecteur d'enceintes
- 4. Graves
- 5. Aigus
- 6. Bass Eq
- 7. Filtre infrasonique
- 8. Mono
- 9. Commutateur de surveillance de bande
- 10. Sélecteur d'entrée
- 11. - Low level -
- 12. Commutateur de contour sonore
- 13. Volume/Equilibrage

FRONTSEITE

- 1. Netzschalter
- 2. Kopfhörer-Anschluss
- 3. Lautsprecher Wählschalter
- 4. Basssteller
- 5. Höhensteller
- 6. Bass Equalizer-Schalter
- 7. Schalter für Infrasschall-Filter
- 8. Mono Stereo-Schalter
- 9. Wechsler für Überband
- 10. Eingangswählschalter
- 11. Schalter für Lautstärkeabsenkung
- 12. Gehörangepasste Lautstärke-Einstellung
- 13. Lautstärke-Balance-Steller

For Service Manuals Contact
MAURITRON TECHNICAL SERVICES
 8 Cherry Tree Rd, Chinnor
 Oxon OX9 4QY
 Tel:- 01844-351694 Fax:- 01844-352554
 Email:- enquiries@mauritron.co.uk



Specifications

NAD 3240PE Stereo Amplifier

Measured in accordance with EIA Standard RS-490 (formerly IHF A-202). Measurements referred to 8 ohms taken with Speaker Impedance selector set to "8Ω (High)." Measurements for 4 and 2 ohms taken with Impedance selector at "4Ω (Normal)."

Power Amplifier Section

CONTINUOUS AVERAGE POWER

OUTPUT AT 8 OHMS (minimum RMS power per channel, both channels driven, with no more than the rated distortion) 40 W (16 dBW)

Rated distortion (THD), 20 Hz - 20 kHz 0.03%

Clipping power, 1 kHz (maximum continuous power per channel) 50 W

Dynamic Headroom at 8 ohms +6 dB

Dynamic power (maximum short-term power per channel) **8 ohms** 160 W

4 ohms 200 W

2 ohms 250 W

Damping factor > 50

Slew factor > 50

Slew rate 15V/μsec

T.H.D. and SMPTE I.M. distortion from 250 mW to rated output < 0.03%

IHF I.M. (CCIF IM) and T.I.M. distortion at rated output < 0.03%

Input impedance 22 kΩ

Input sensitivity for 1 W/ 40 W out 160 mV / 1.0 V

Power amp gain 25 dB (18X)

Preamplifier Section

Phono Input

Input Impedance R = 47kΩ , C = 100 pF

Input Sensitivity (1 kHz) 0.55 mV for 1 W out

3.5 mV for 40 W out

Signal-to-Noise Ratio with cartridge connected, A-weighted 76 dB re 5 mV

Input Overload at 20 Hz/1kHz/20kHz 20/180/1500 mV

RIAA Accuracy ±0.5 dB

High-Level Inputs (Tuner, CD, Video, Tape)

Input Impedance R = 15 kΩ , C = 100 pF

Input Sensitivity 26 mV for 1W out

160 mV for 40W out

Signal-to-Noise ratio, A-weighted 86 dB re 1 W out

102 dB re 40W out

Input Overload >10 V

Frequency Response 20Hz - 20kHz ±0.5 dB

Outputs

Preamp output impedance 600 Ω

Tape output impedance Source Z + 1000 Ω

Controls

Treble ±7 dB at 10kHz

Bass ±10 dB at 50 Hz

Bass Equalization +3 dB at 70 Hz

+6 dB at 40 Hz

Infrasonic Filter -3 dB at 12 Hz

12 dB/octave

Low Level (audio muting) -20 dB

Physical Specifications

Width x Height x Depth 42 x 10.8 x 38 cm.
16.5 x 4.25 x 15 in.

Net Weight 6.7 kg (14 lbs 14 oz)

Shipping Weight 8 kg (17 lb 12 oz)

Power Consumption 50/60 Hz at 110, 120,

220, or 240 VAC

200 W

Specifications are those in effect at the time of printing. NAD reserves the right to change specifications or designs at any time without notice.

ALIGNMENT METHOD

AUDIO SECTION 3240PE

IMPORTANT

Speaker Impedance switch should be in 8 ohm position while adjusting center voltage and idling current.

INITIAL ADJUSTMENT (No load connected)

A. CENTER VOLTAGE

1. Connect DC millivoltmeter to L channel output terminals.
2. Turn on and adjust to 0 V \pm 30mV with VR401 (10KB). Connect DC millivoltmeter to R channel output terminals and adjust VR402 to 0 V \pm 30mV.

B. IDLING CURRENT

1. Remove solder short across R471 and R472.
2. Connect DC millivoltmeter across R471 (1 ohm) (output transistor's collector resistor) and adjust VR403 (1KB) for 26-30mV reading on meter.
Repeat adjust with VR404 (1KB), connecting meter across R472(1 ohm)
3. leave power on for minimum 5 minutes.

FINAL ADJUSTMENT

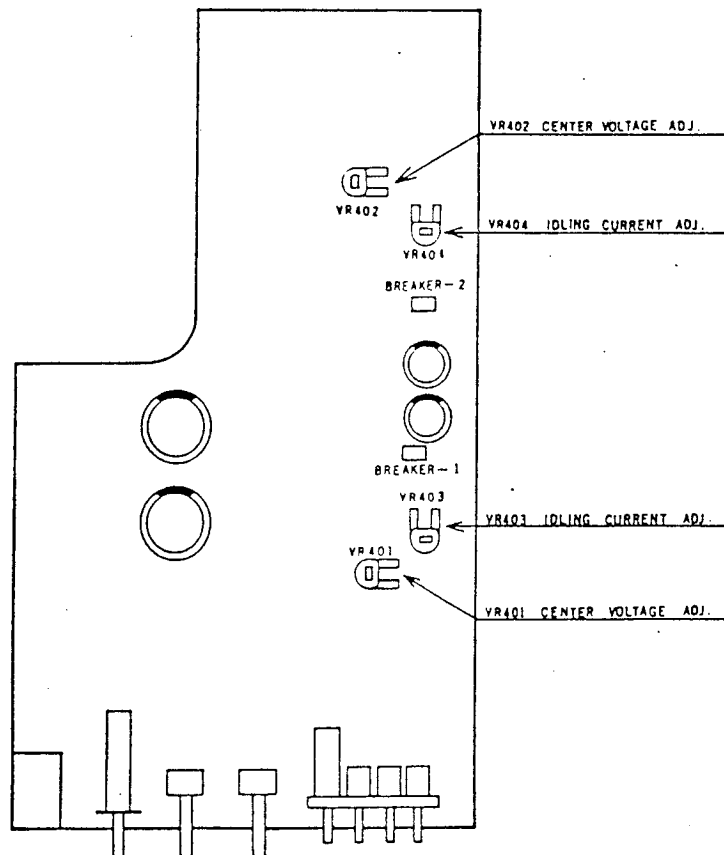
C. CENTER VOLTAGE

1. Repeat step A above.

D. IDLING CURRENT

1. Repeat step B and adjust with VR403, VR404 for 30mV reading on meter.
2. After the alignment is finished, 1 ohm resistor R471, R472 is shorted by solder short.

For Service Manuals Contact
MAURITRON TECHNICAL SERVICES
8 Cherry Tree Rd, Chinnor
Oxon OX9 4QY
Tel:- 01844-351694 Fax:- 01844-352554
Email:- enquiries@mauritron.co.uk

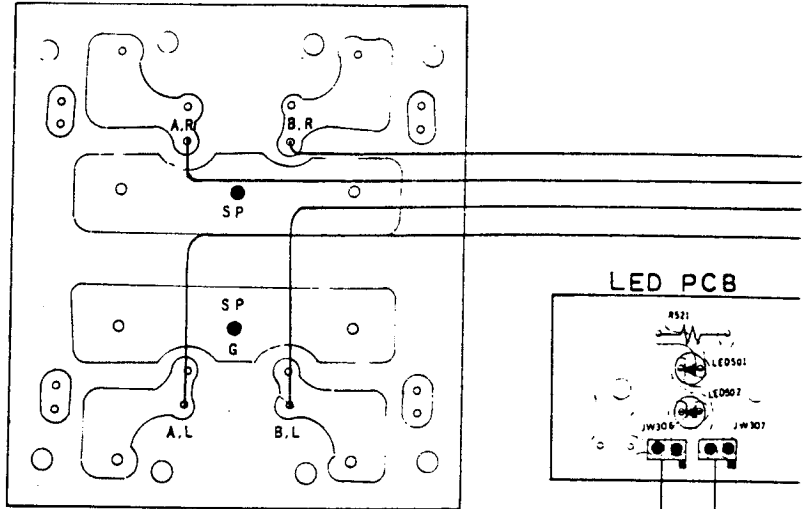


AMPLIFIER ADJUSTMENT POINTS

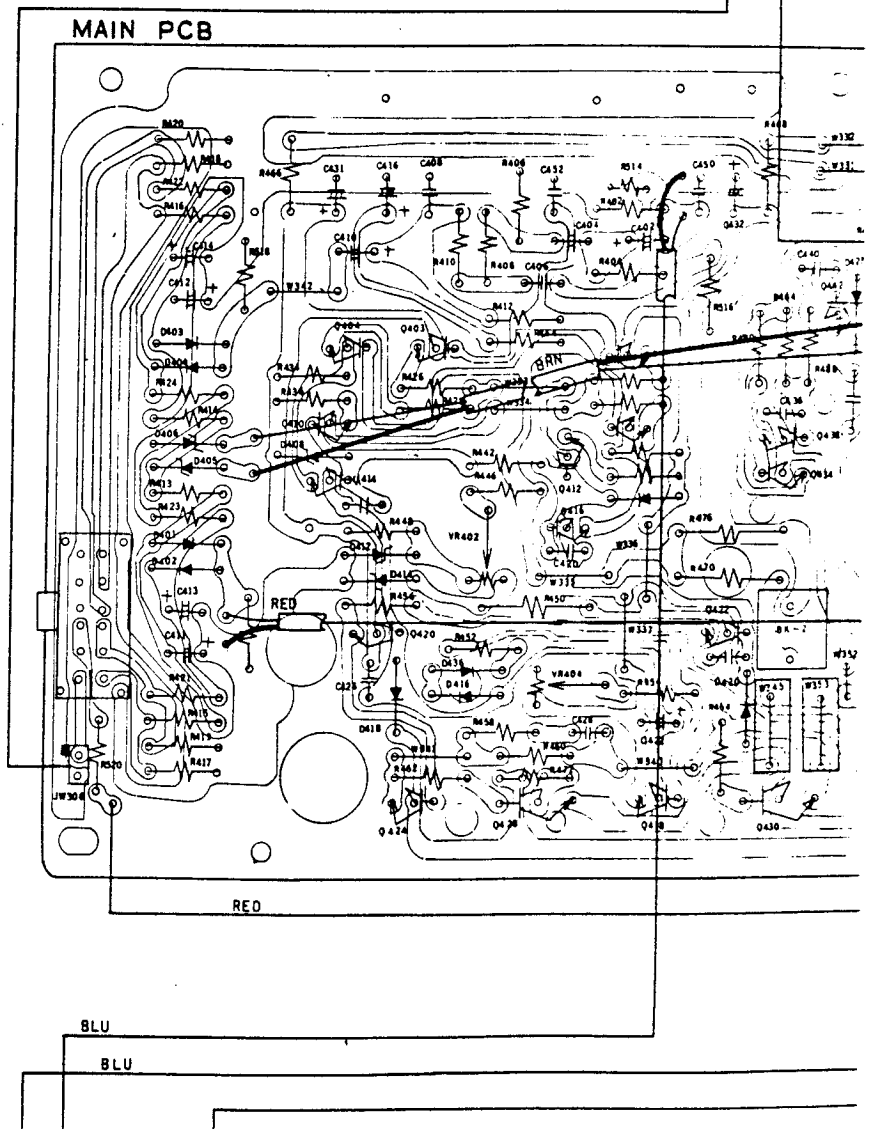
PCB LAYOUT AND WIRING DIAGRAM

For Service Manuals Contact
MAURITRON TECHNICAL SERVICES
 8 Cherry Tree Rd, Chinnor
 Oxon OX9 4QY
 Tel: 01844-351694 Fax: 01844-352554
 Email: enquires@mauriton.co.uk

BINDING POSTS PCB



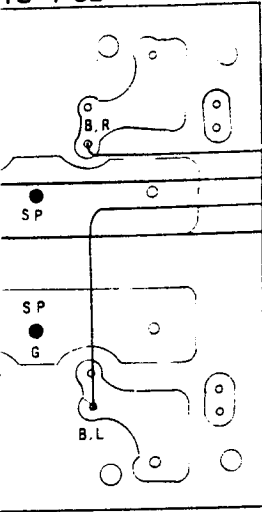
MAIN PCB



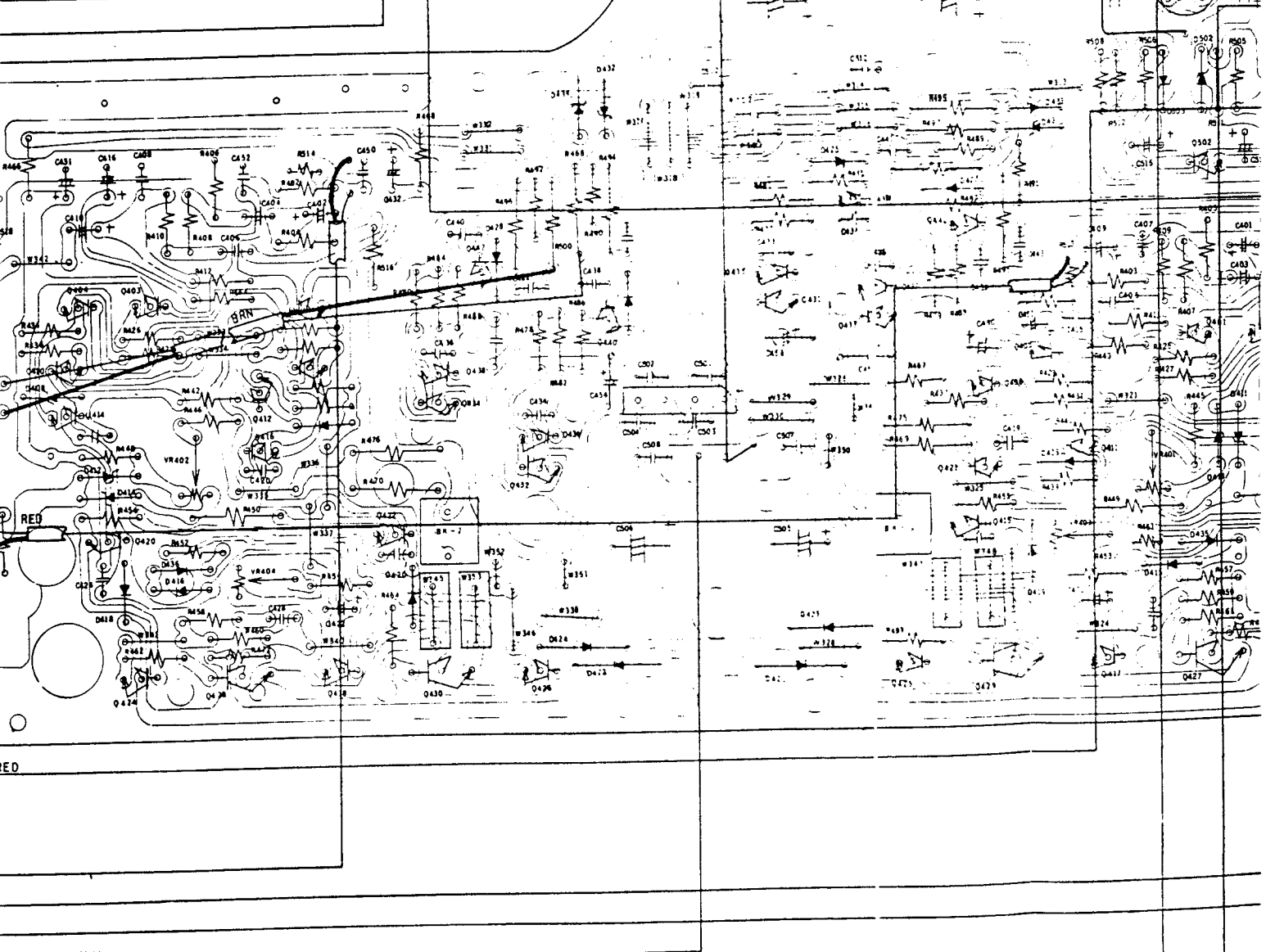
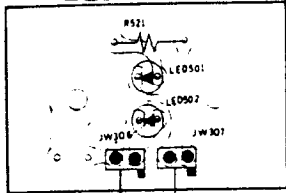
**THE QUALITY OF
 THIS PAGE IS
 THE BEST THAT
 IS AVAILABLE**

WIRING DIAGRAM

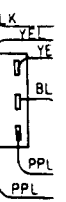
TS PCB



LED PCB



R1



BLU

GRY

F503

F504

F501

F502

F505

F506

C520

R508

C514

R503

C508

R504

C502

R505

C509

R506

C510

R507

C511

R508

C512

R509

C513

R510

C514

R511

C515

R512

C516

R513

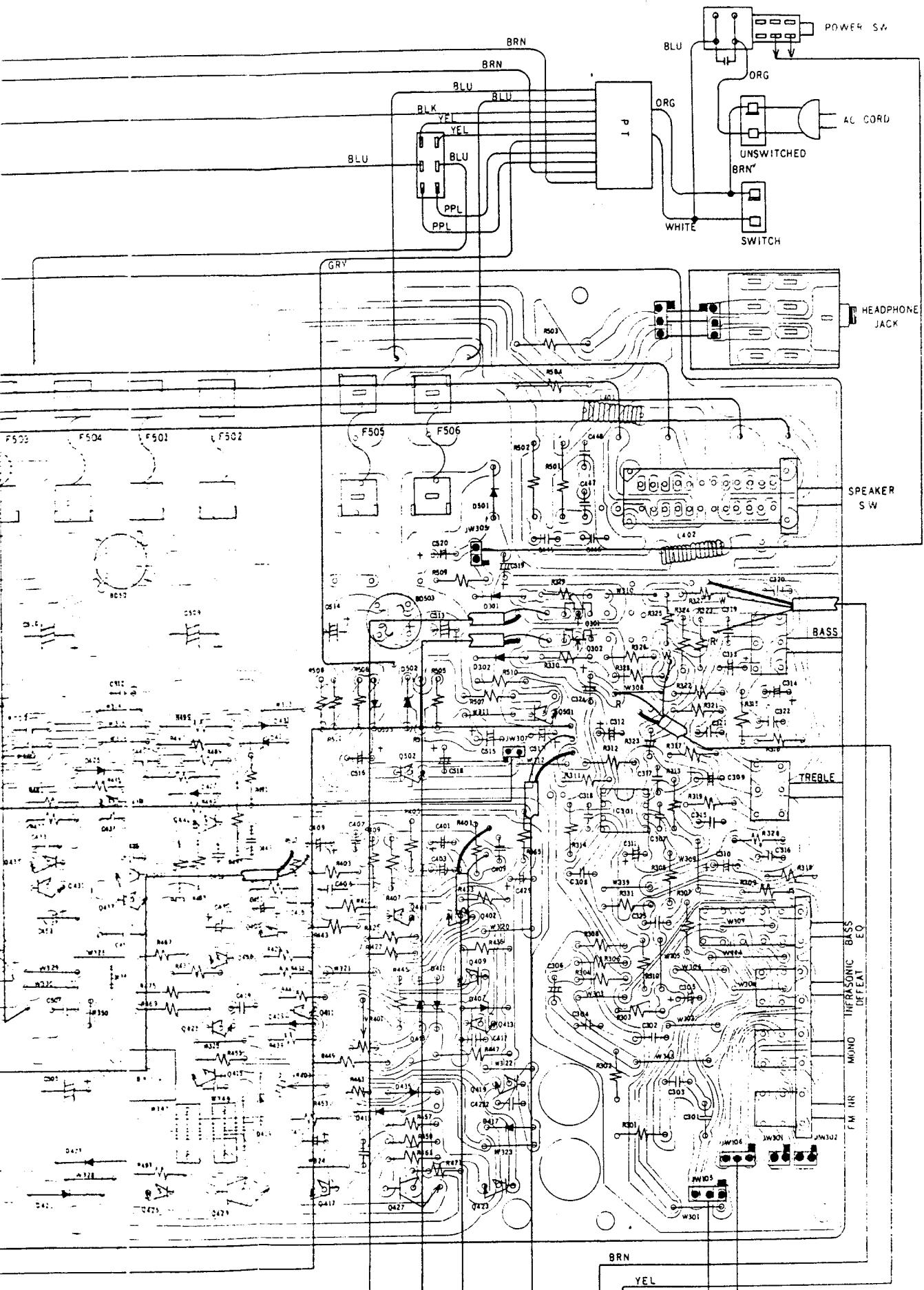
C517

R514

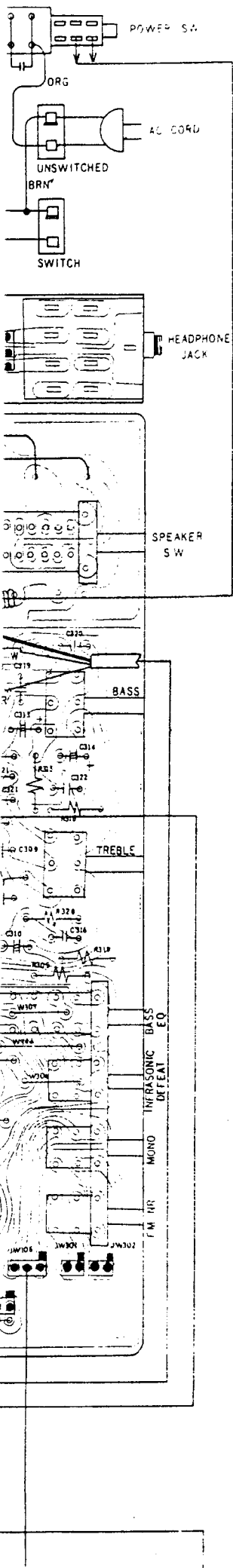
C518

R515

C519



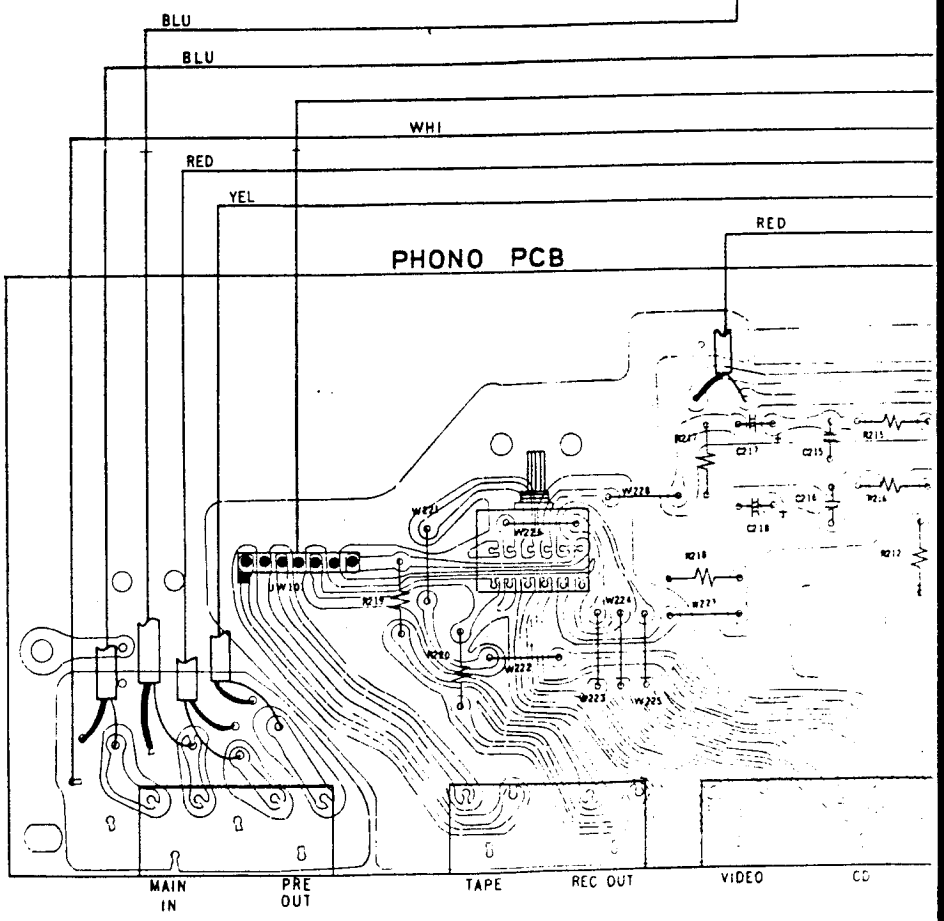
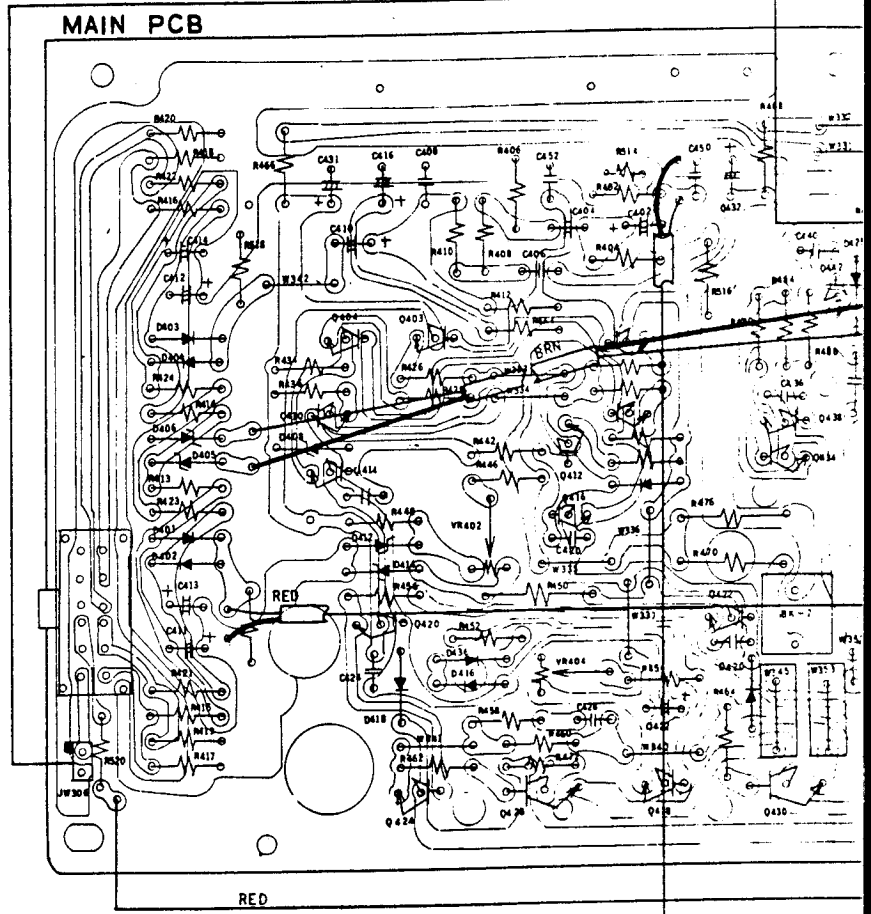
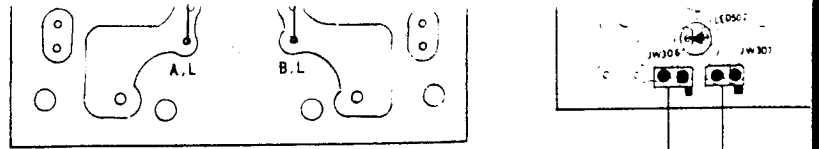
For Service Manuals Contact
MAURITRON TECHNICAL SERVICES
 8 Cherry Tree Rd, Chinnor
 Oxon OX9 4QY
 Tel: 01844-351694 Fax: 01844-352554
 Email: enquiries@mauritron.co.uk

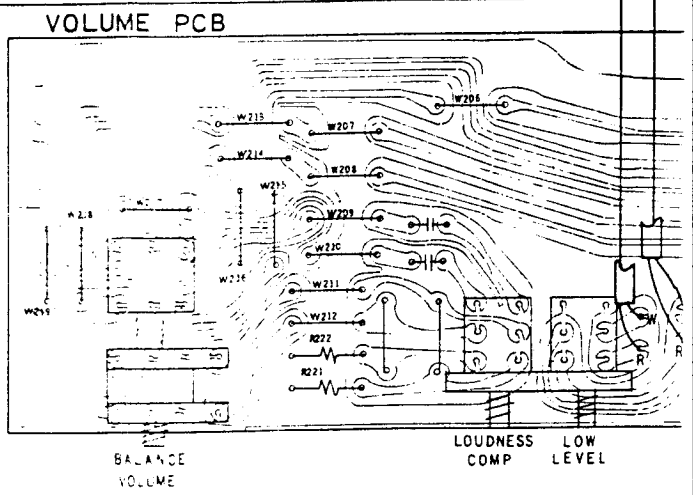
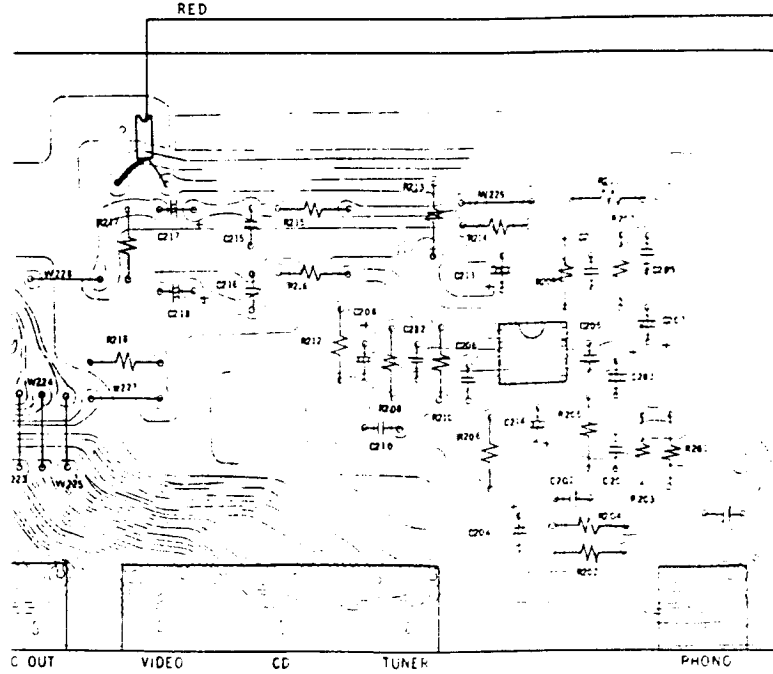
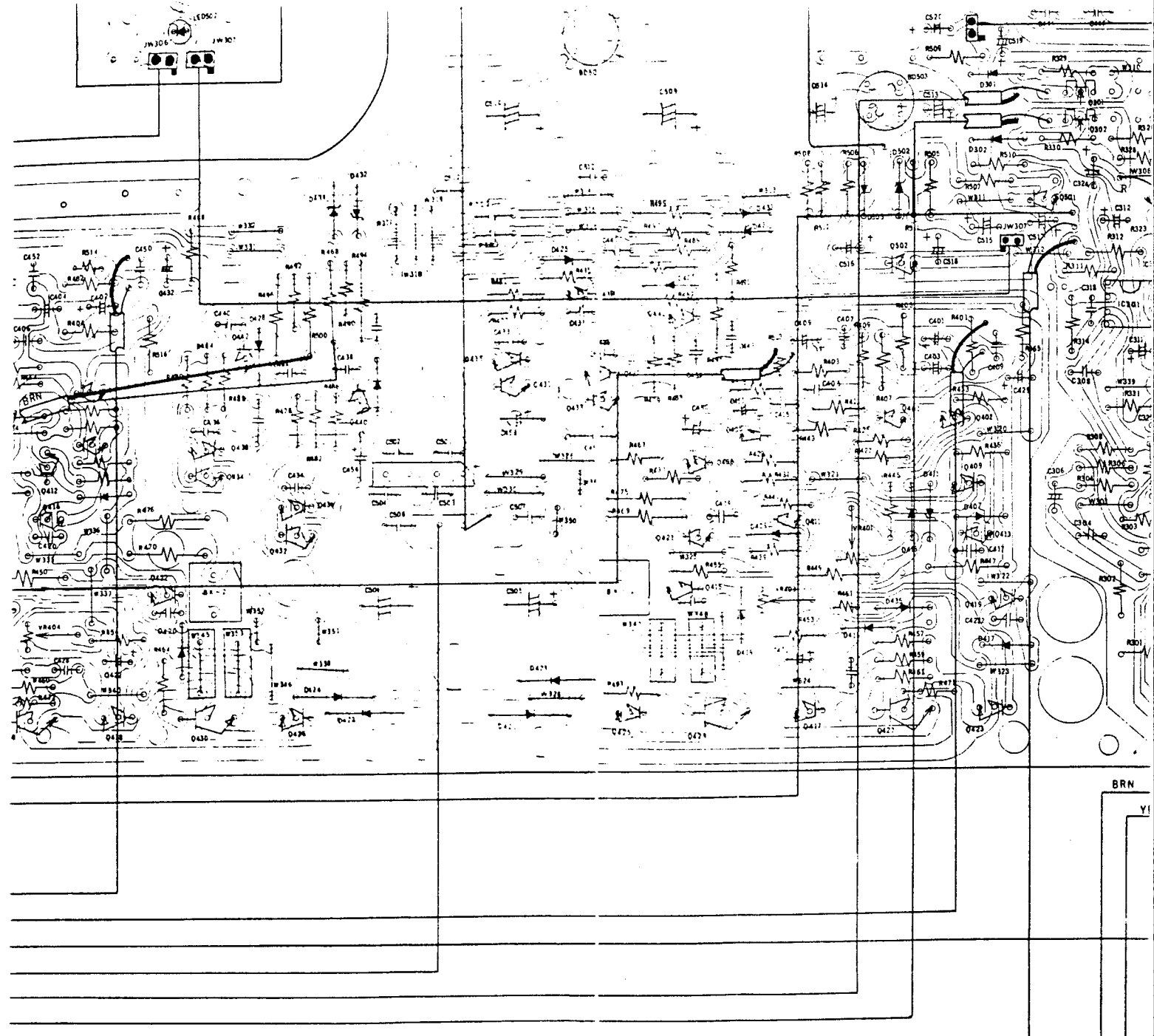


THE QUALITY OF
THIS PAGE IS
THE BEST THAT
IS AVAILABLE

For Service Manuals Contact
MAURITRON TECHNICAL SERVICES
 8 Cherry Tree Rd, Chinnor
 Oxon OX9 4QY
 Tel:- 01844-351694 Fax:- 01844-352554
 Email:- enquires@mauritron.co.uk

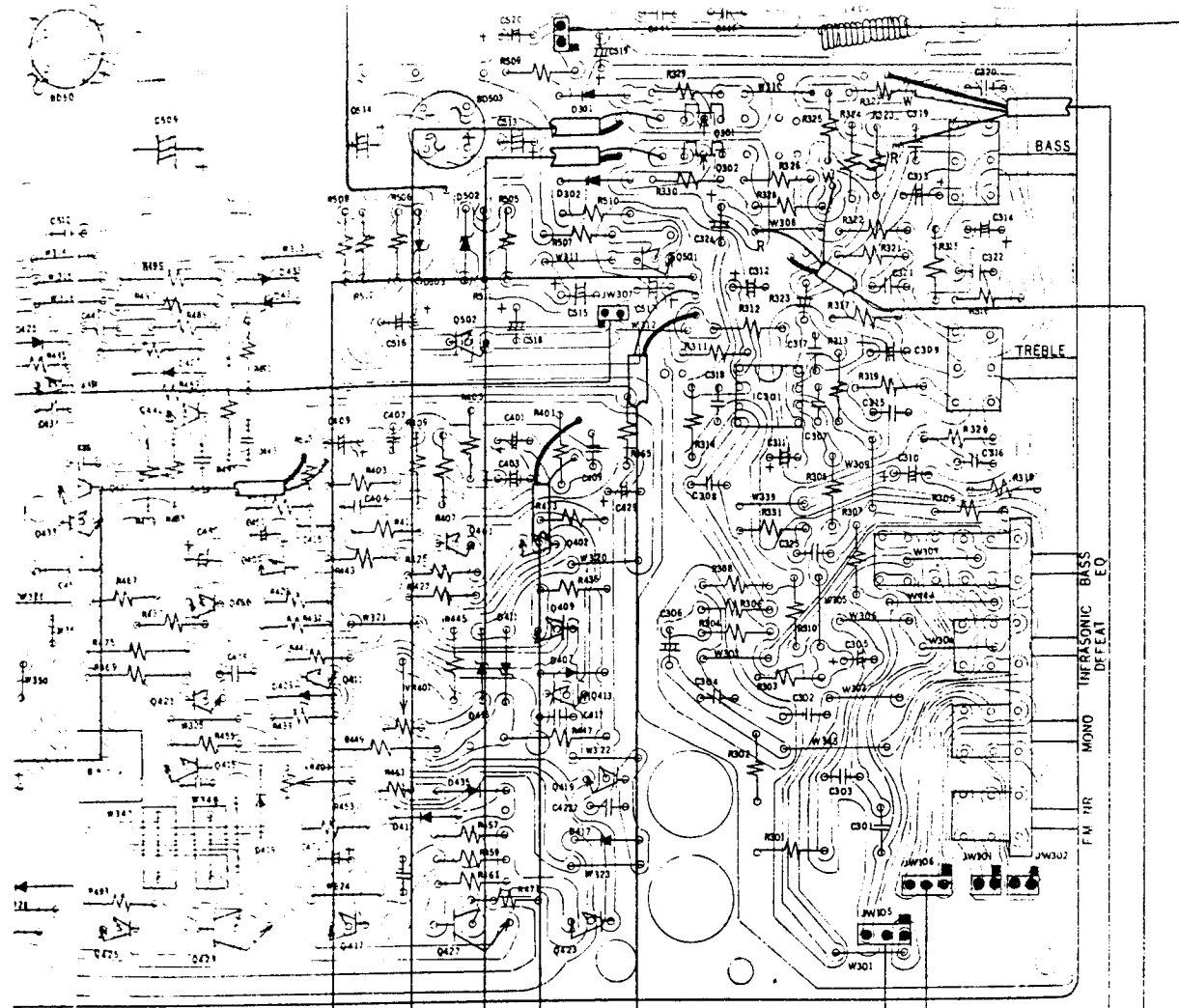
**THE QUALITY OF
 THIS PAGE IS
 THE BEST THAT
 IS AVAILABLE**





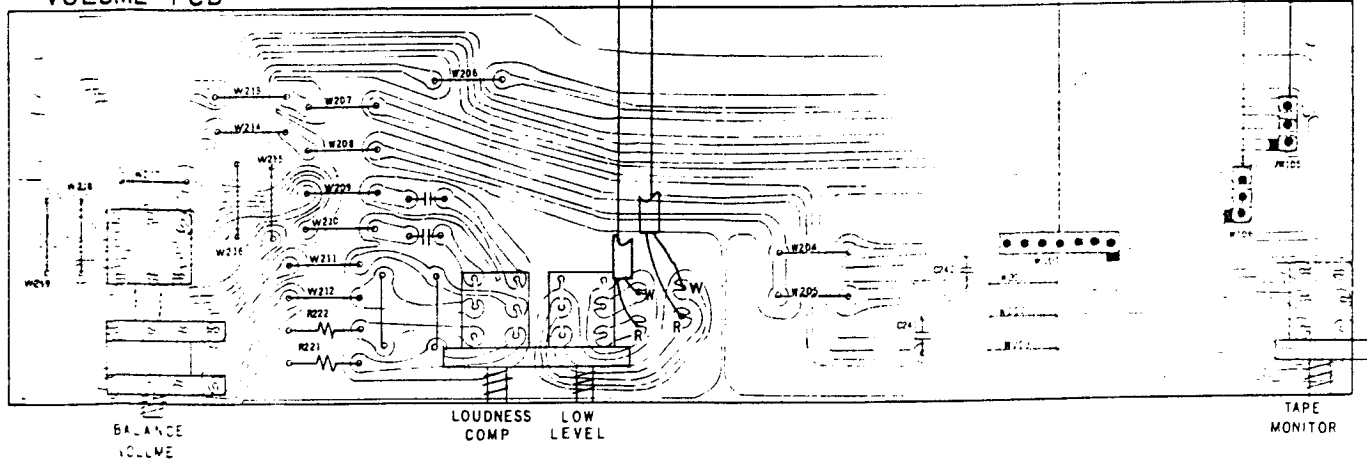
C OUT VIDEO CE TUNER PHONO

BALANCE VOLUME LOUDNESS COMP LOW LEVEL

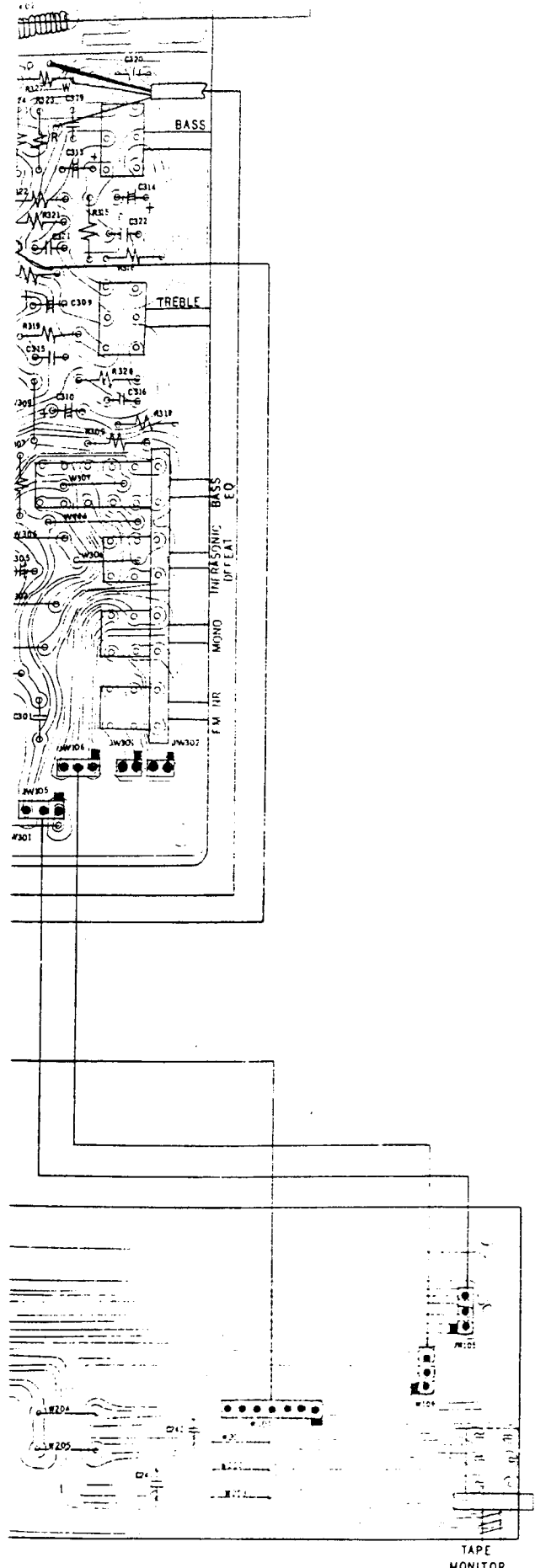


For Service Manuals Contact
MAURITRON TECHNICAL SERVICES
 8 Cherry Tree Rd, Chinnor
 Oxon OX9 4QY
 Tel: 01844-351694 Fax: 01844-352554
 Email: enquiries@mairitron.co.uk

VOLUME PCB

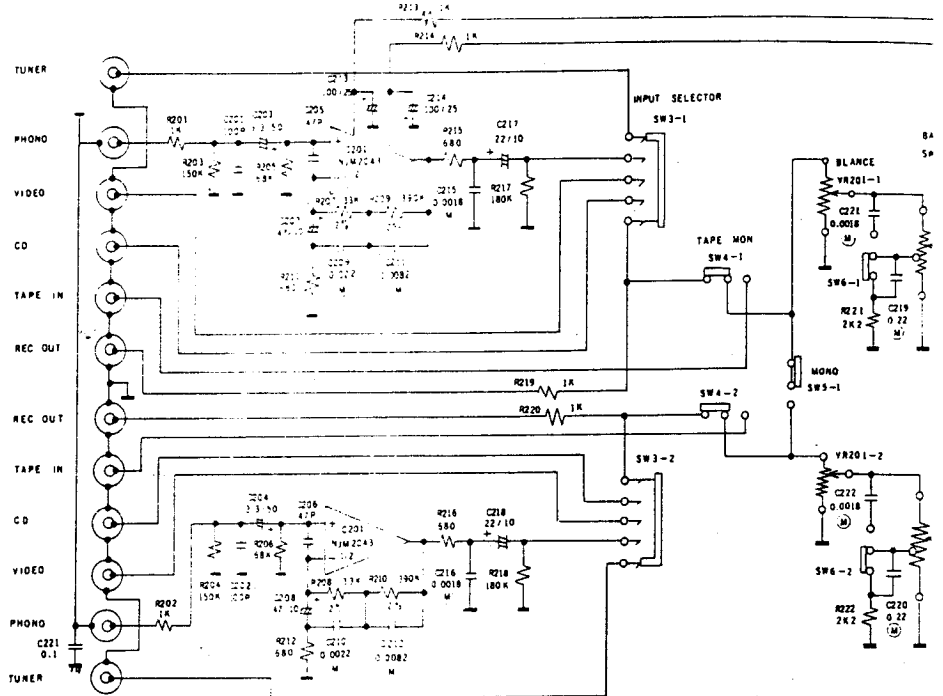


THE QUALITY OF
THIS PAGE IS
THE BEST THAT
IS AVAILABLE

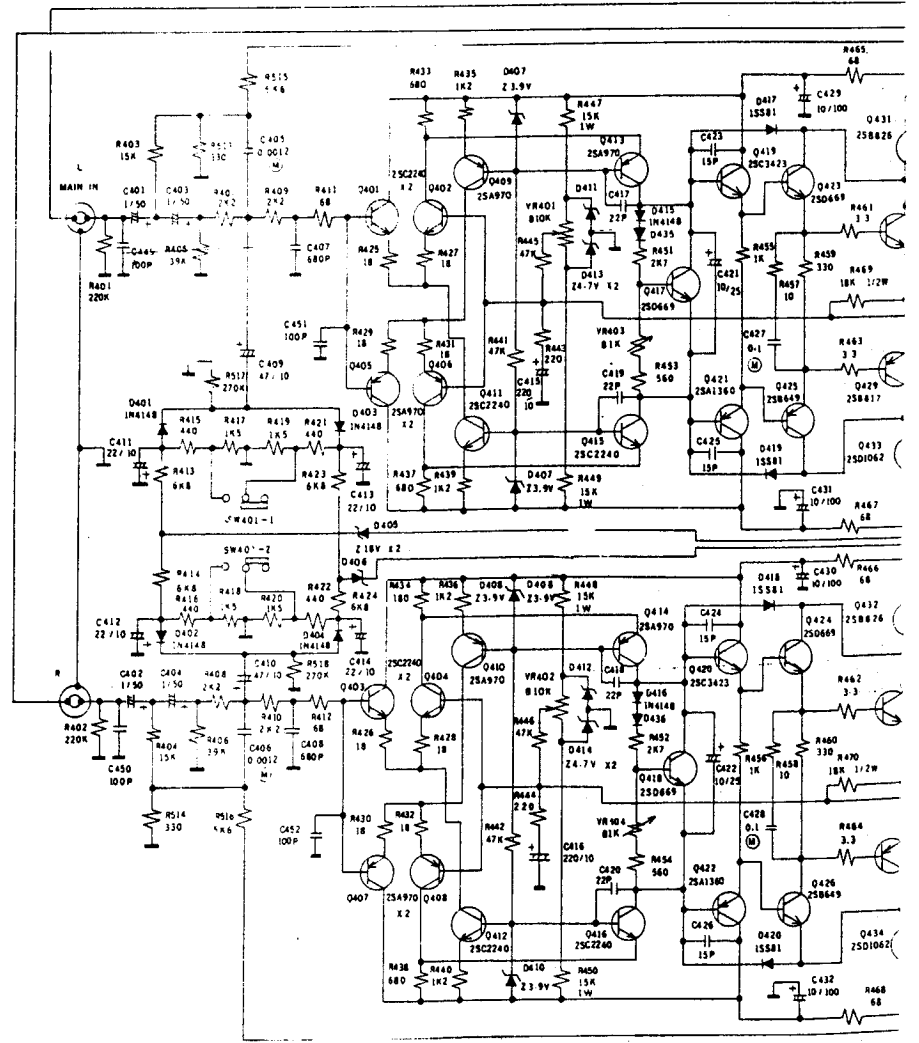


For Service Manuals Contact
MAURITRON TECHNICAL SERVICES
8 Cherry Tree Rd, Chinnor
Oxon OX9 4QY
Tel: 01844-351694 Fax: 01844-352554
Email: enquiries@mauriton.co.uk

SCHEMATIC DIAGRAM NAD 3240PE AMPLIFIER

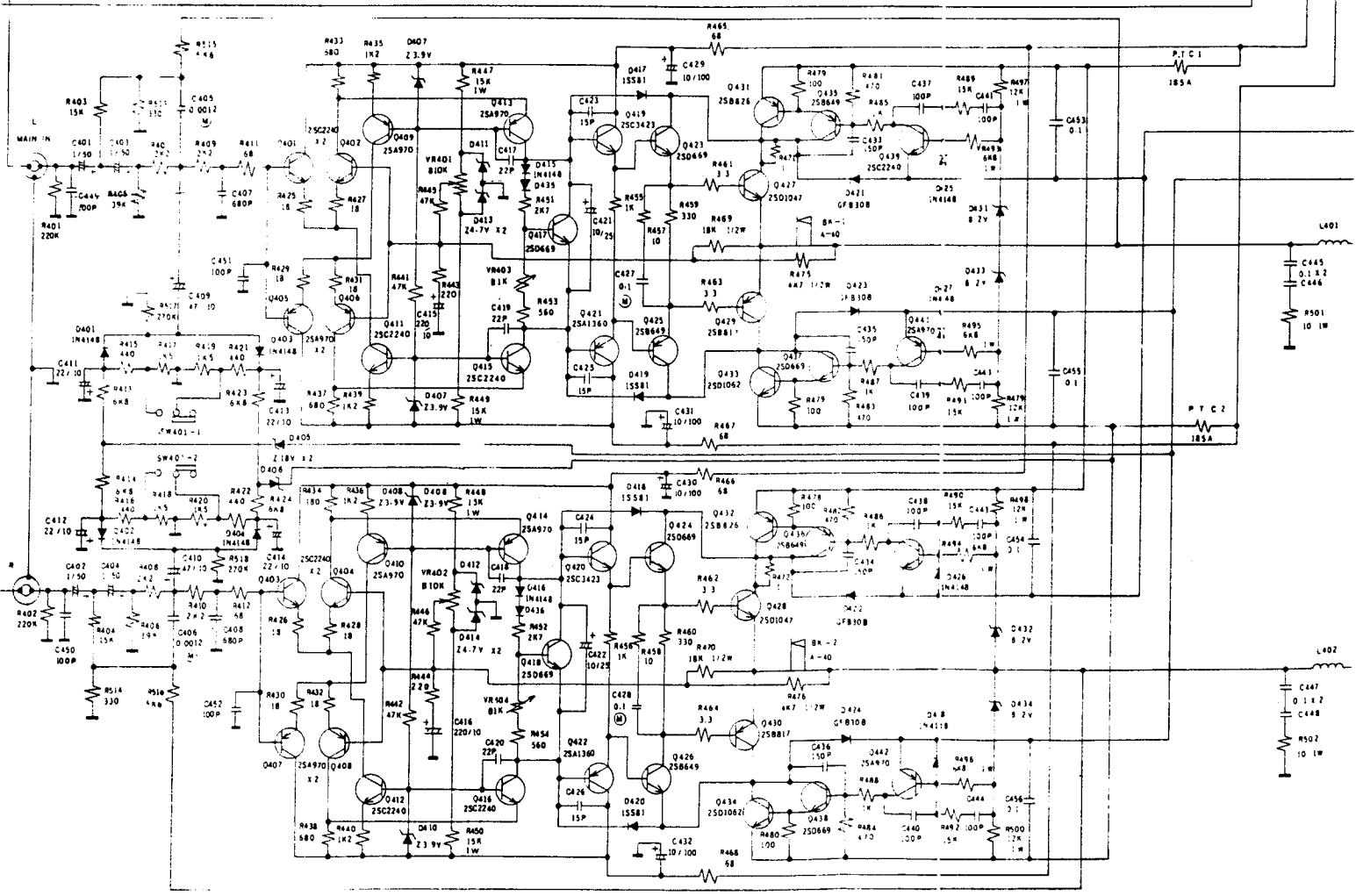
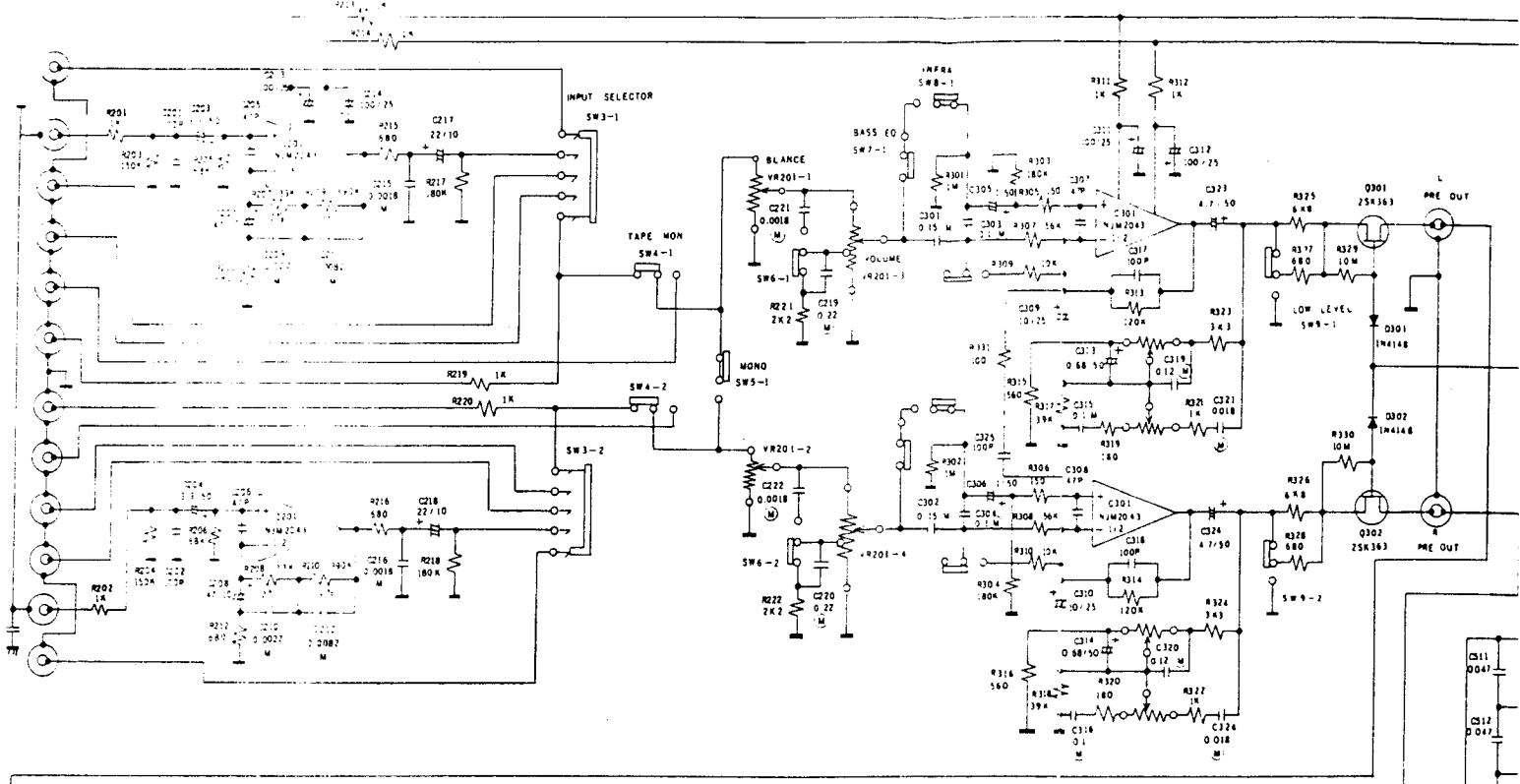


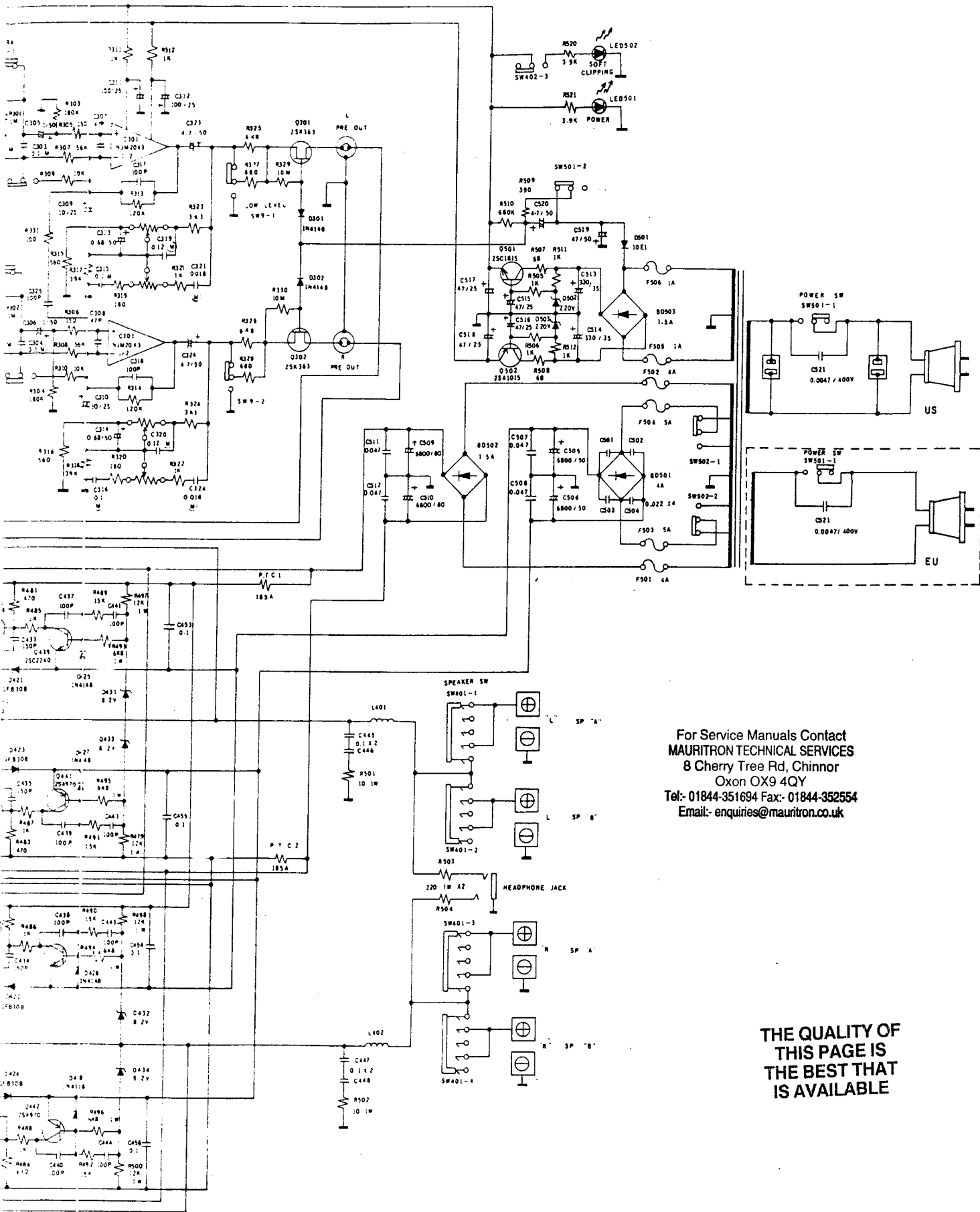
For Service Manuals Contact
MAURITRON TECHNICAL SERVICES
 8 Cherry Tree Rd, Chinnor
 Oxon OX9 4QY
 Tel:- 01844-351694 Fax:- 01844-352554
 Email:- enquiries@mauritron.co.uk



**THE QUALITY OF
 THIS PAGE IS
 THE BEST THAT
 IS AVAILABLE**

SCHEMATIC DIAGRAM NAD 3240PE AMPLIFIER

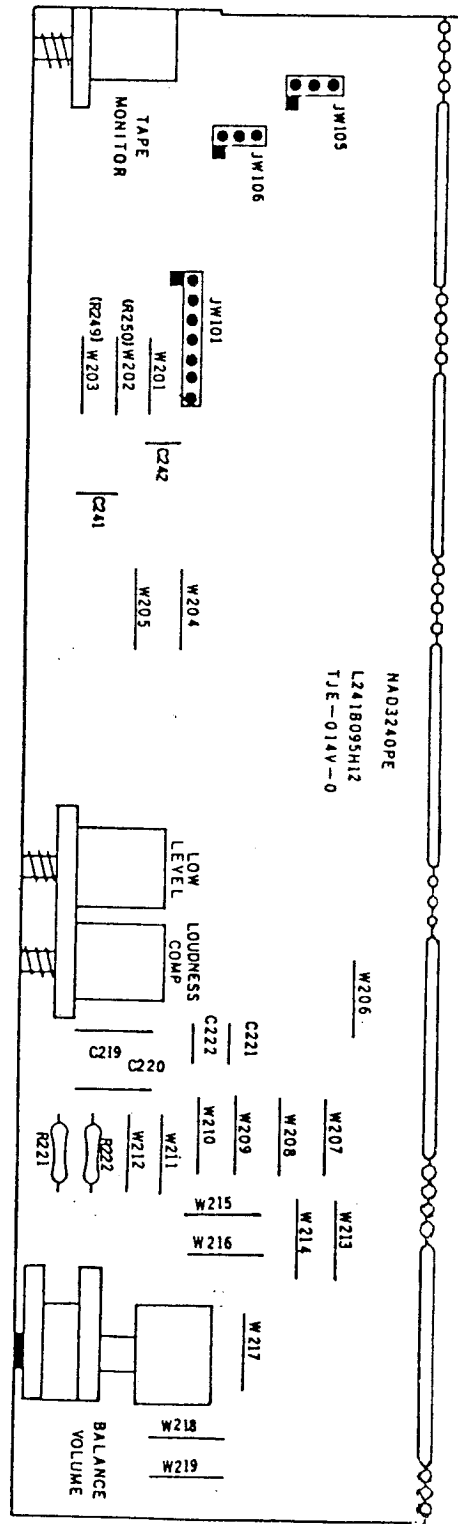




For Service Manuals Contact
MAURITRON TECHNICAL SERVICES
 8 Cherry Tree Rd, Chinnor
 Oxon OX9 4QY
 Tel:- 01844-351694 Fax:- 01844-352554
 Email:- enquiries@mauritron.co.uk

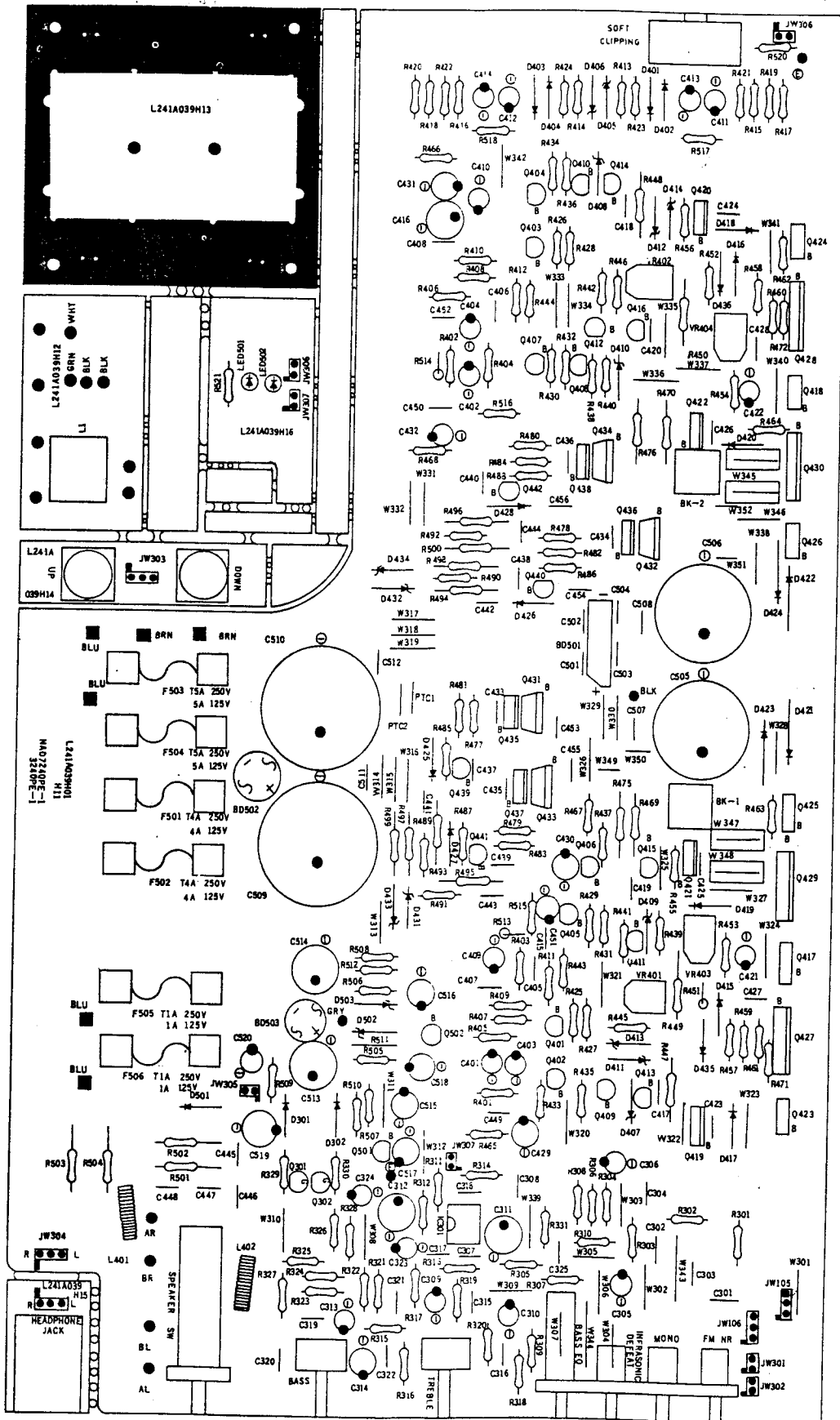
**THE QUALITY OF
 THIS PAGE IS
 THE BEST THAT
 IS AVAILABLE**

PCB LAYOUT AND WIRING DIAGRAM

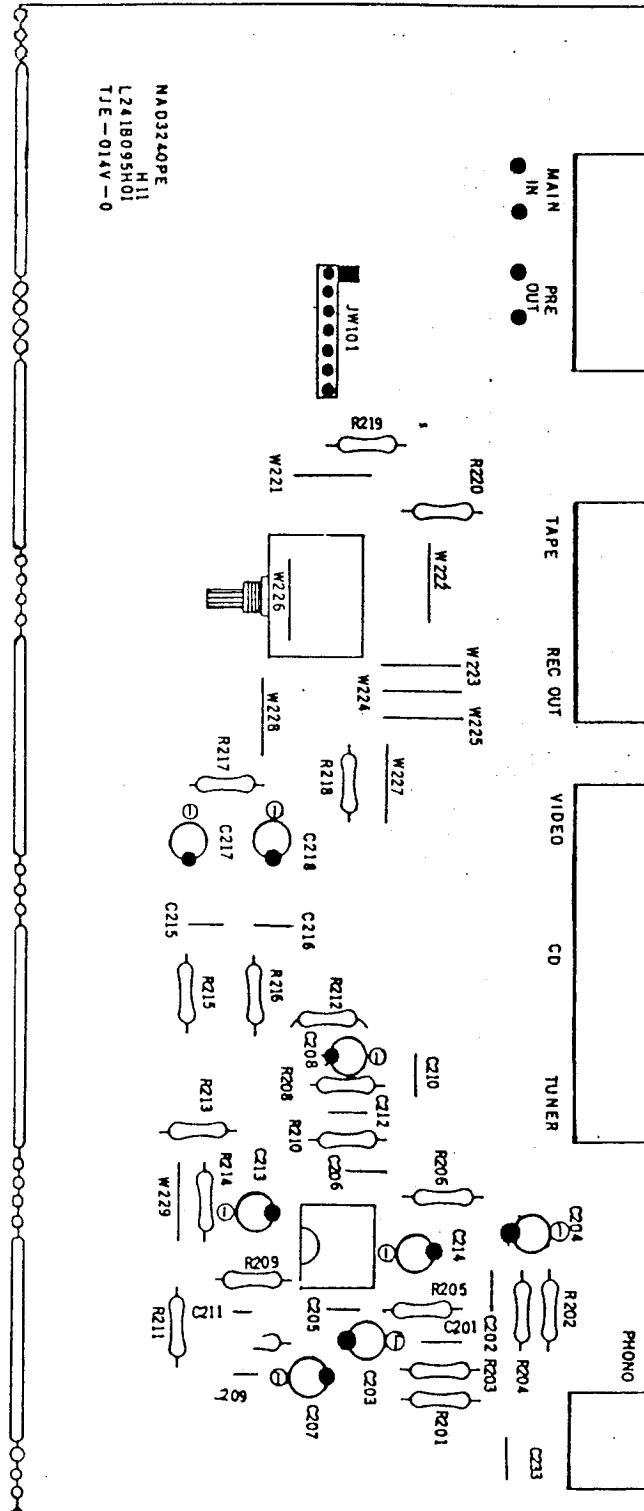


For Service Manuals Contact
MAURITRON TECHNICAL SERVICES
 8 Cherry Tree Rd, Chinnor
 Oxon OX9 4QY
 Tel:- 01844-351694 Fax:- 01844-352554
 Email:- enquiries@mauritron.co.uk

AMPLIFIER DISPLAY PCB COMPONENT LOCATION AMPLIFIER PCB



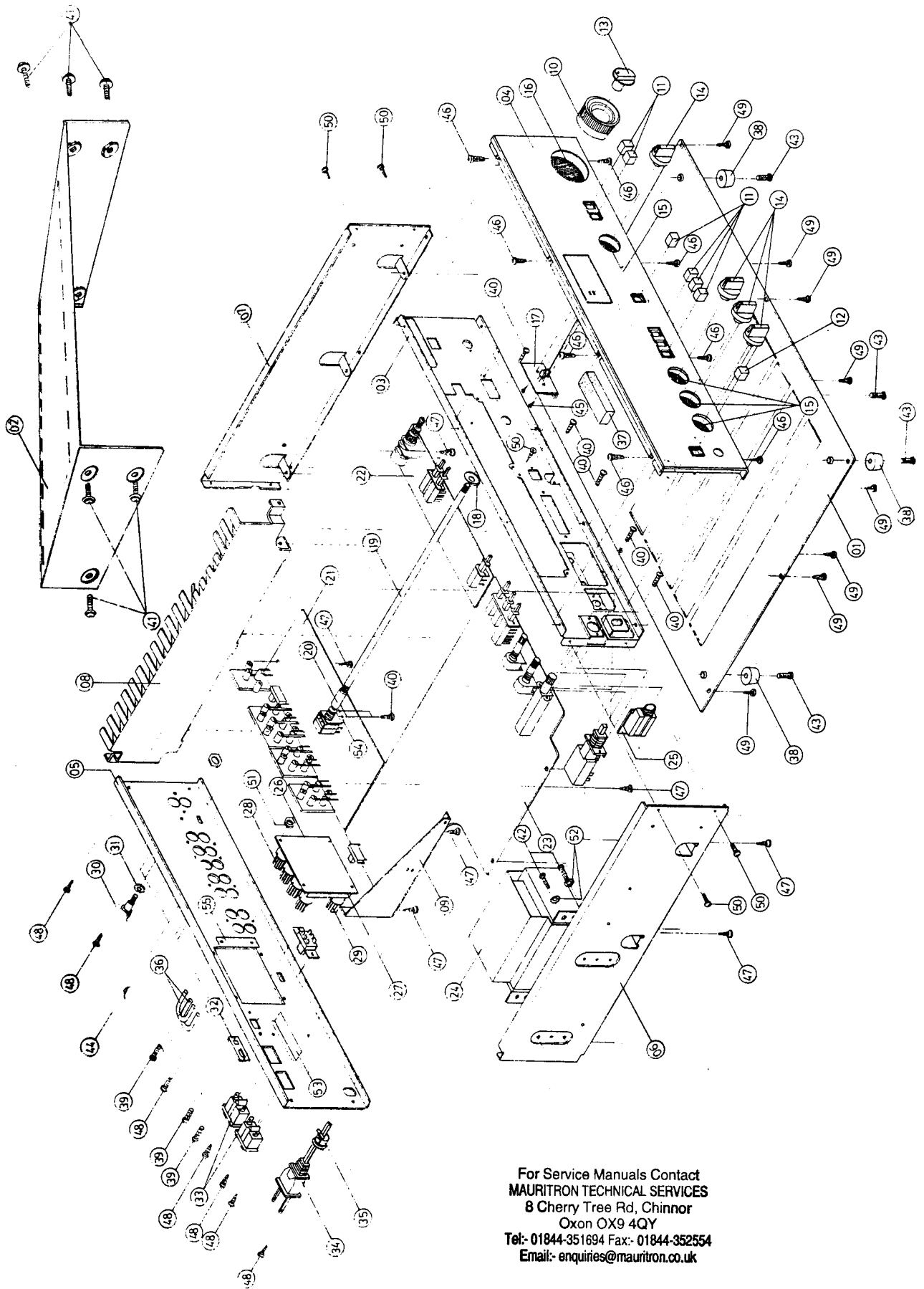
PCB LAYOUT AND WIRING DIAGRAM



NA03240PE
H11
L241B095H01
TJE-014V-0

For Service Manuals Contact
MAURITRON TECHNICAL SERVICES
8 Cherry Tree Rd, Chinnor
Oxon OX9 4QY
Tel: 01844-351694 Fax: 01844-352554
Email: enquiries@mauritron.co.uk

EXPLODED VIEW



For Service Manuals Contact
MAURITRON TECHNICAL SERVICES
8 Cherry Tree Rd, Chinnor
Oxon OX9 4QY
Tel: 01844-351694 Fax: 01844-352554
Email: enquiries@mauritron.co.uk

ITEM	PARTS NO.	NAME	Q'TY	ITEM	PARTS NO.	NAME	Q'TY
01	L580A002H01	COVER BOTTOM	1	29	L704C013H02	HAND-POST (RED)	C3 4
02	L561A010H01	CABINET	1	29	L704C013H02	HAND-POST (RED)	C2 4
03	L582A001H01	CHASSIS, FRONT SUB	1	30	L531D018H01	BINDING POST GROUND	1
04	L702A017H02	PANEL, FRONT	1	31	U683D011H01	WASHER PLANE	1
05	L582A002H13	PANEL, REAR	A1 1	32	L703D027H01	PLATE SWITCH LOCK	1
05	L572A002H13	PANEL, REAR	A2 1	33	L449Y002H02	AC SOCKET	A1 2
05	L582A002H13	PANEL, REAR	A 1	33	L449Y002H02	AC SOCKET	A2 2
05	L582A002H15	PANEL, REAR	B 1	33	L449Y002H02	AC SOCKET	A 2
05	L582A002H14	PANEL, REAR	C1 1	33	L449Y002H02	AC SOCKET	C3 2
05	L582A002H14	PANEL, REAR	C 1	33	L449Y002H02	AC SOCKET	C2 2
05	L582A002H15	PANEL, REAR	B1 1	34	L242Y501H01	AC CORD	A1 1
05	L582A002H13	PANEL, REAR	C3 1	34	L242Y501H01	AC CORD	A2 1
05	L582A002H16	PANEL, REAR	C2 1	34	L242Y501H01	AC CORD	A 1
06	L547B005H01	FRAME (L)	1	34	L242Y501H01	AC CORD	B 1
07	L547B006H01	FRAME (R)	1	34	L242Y501H01	AC CORD	C1 1
08	L565B005H01	HEAR SINK	1	34	L242Y501H01	AC CORD	C 1
09	L541C017H01	BRACKER, PCB SUPPORT	1	34	L242Y501H01	AC CORD	B1 1
10	L704D062H01	KNOB VOLUME	1	34	L242Y501H01	AC CORD	C3 1
11	L704D061H01	KNOB, FUNCTION SELECTOR	6	34	L242Y501H01	AC CORD	C2 1
12	L704D061H02	KNOB POWER	1	35	L540D501H01	CLAMPER	1
13	L704D065H01	KNOB BALANCE	1	36	L291D006H01	BAR LINK	1
14	L704D064H01	KNOB ROTARY	4	37	L552D013H01	CUSHION SPONGE	1
15	L550D037H01	RING, FELT TONECONTROL	4	38	L771D006H01	FOOT RUBBER	4
16	L550D037H02	RING, FELT VOLUMECONTROL	4	39	U650S065H19	SCREW-BM3x6	6
17	L241B092G60	PCB ASS'Y MAIN (LED)	1	40	U650S063H19	SCREW-BM3x6	12
18	L550D036H02	BEARING SHAFT	1	41	L650S063H95	SCREW-PM4x10	6
19	L531D017H01	SHAFT, INPUT SELECTOR	1	42	U650S063H95	SCREW-PM4x10	4
20	L526D022H01	SLEEVE, INPUT SELECTOR SWITCH	1	43	U650S025H31	SCREW-PM4x10	4
21	L241B094G11	PCB ASS'Y CONTROL (PHONO)	1	44	U656S164H23	SCREW-TAP 1-3x6	10
22	L241B094G21	PCB ASS'Y CONTROL (VOL)	1				
23	L241B092G10	PCB ASS'Y MAIN	1				
24	L350Y039H01	TRANSFORMER, MAIN POWER	1				
25	L241B092G50	PCB ASS'Y HEADPHONE	1				
26	L241B092G30	PCB ASS'Y BINDING POSTS	1				
27	L541B018H01	BINDING POSTS LOUDSPEAKER	2				
28	L704C013H01	HAND-POST (BLK)	A1 4				
28	L704C013H01	HAND-POST (BLK)	A2 4				
28	L704C013H01	HAND-POST (BLK)	A 4				
28	L704C013H01	HAND-POST (BLK)	B 4				
28	L704C013H01	HAND-POST (BLK)	C1 4				
28	L704C013H01	HAND-POST (BLK)	C 4				
28	L704C013H01	HAND-POST (BLK)	B1 4				
28	L704C013H01	HAND-POST (BLK)	C3 4				
28	L704C013H01	HAND-POST (BLK)	C2 4				
29	L704C013H02	HAND-POST (RED)	A1 4				
29	L704C013H02	HAND-POST (RED)	A2 4				
29	L704C013H02	HAND-POST (RED)	A 4				
29	L704C013H02	HAND-POST (RED)	B 4				
29	L704C013H02	HAND-POST (RED)	C1 4				
29	L704C013H02	HAND-POST (RED)	C 4				
29	L704C013H02	HAND-POST (RED)	B1 4				

3240PE PARTS LIST

SYMBOL NO.	PART NO.	DESCRIPTION	REF	U1055007H35	Res, Metal	6.8K	+5X	1W
R201, 202, 213, 214, 219, 220	L103Y214H19	Res, Carb, 1K	+5X	1/W	Res, Metal <td>12K</td> <td>+5X</td> <td>1W</td>	12K	+5X	1W
R203, 204	L103Y214H45	Res, Carb, .150K	+5X	1/W	Res, Metal <td>10</td> <td>+5X</td> <td>1W</td>	10	+5X	1W
R205, 206	L103Y214H41	Res, Carb, 68K	+5X	1/W	Res, Metal <td>220</td> <td>+5X</td> <td>1W</td>	220	+5X	1W
R207, 208	L103Y216H61	Res, Carb, 33K	+2X	1/W	Res, Carb, <td>1K</td> <td>+5X</td> <td>1/W</td>	1K	+5X	1/W
R209, 210	L103Y216H87	Res, Carb, 390K	+2X	1/W	Res, Carb, <td>68</td> <td>+5X</td> <td>1/W</td>	68	+5X	1/W
R211, 212, 215, 216	L103Y214H17	Res, Carb, 390K	+2X	1/W	Res, Carb, <td>390</td> <td>+5X</td> <td>1/W</td>	390	+5X	1/W
R217, 218	L103Y214H46	Res, Carb, 880	+5X	1/W	Res, Carb, <td>680K</td> <td>+5X</td> <td>1/W</td>	680K	+5X	1/W
R221, 222	L103Y214H23	Res, Carb, 180K	+5X	1/W	Res, Carb, <td>330</td> <td>+5X</td> <td>1/W</td>	330	+5X	1/W
R301, 302	L103Y214H55	Res, Carb, 2.2K	+5X	1/W	Res, Carb, <td>5.6K</td> <td>+5X</td> <td>1/W</td>	5.6K	+5X	1/W
R303, 304	L103Y214H46	Res, Carb, 1M	+5X	1/W	Res, Carb, <td>3.9K</td> <td>+5X</td> <td>1/W</td>	3.9K	+5X	1/W
R305, 306	L103Y214H09	Res, Carb, 150	+5X	1/W	Res, Carb, <td>3.9K</td> <td>+5X</td> <td>1/W</td>	3.9K	+5X	1/W
R307, 308	L103Y214H40	Res, Carb, 56K	+5X	1/W	Cap, Cer, <td>100pF</td> <td>+5X</td> <td>50WV</td>	100pF	+5X	50WV
R309, 310	L103Y214H31	Res, Carb, 10K	+5X	1/W	Cap, El, <td>3.3uF</td> <td>+75-10X</td> <td>50V</td>	3.3uF	+75-10X	50V
R311, 312, 321, 322	L103Y214H31	Res, Carb, 1K	+5X	1/W	Cap, Cer, <td>47pF</td> <td>+5X</td> <td>50WV</td>	47pF	+5X	50WV
R313, 314	L103Y214H44	Res, Carb, 120K	+5X	1/W	Cap, El, <td>47uF</td> <td>+50-10X</td> <td>10V</td>	47uF	+50-10X	10V
R315, 316	L103Y214H16	Res, Carb, 560	+5X	1/W	Cap, Poly, <td>2200pF</td> <td>+5X</td> <td>50WV</td>	2200pF	+5X	50WV
R319, 320	L103Y214H38	Res, Carb, 39K	+5X	1/W	Cap, Poly, <td>8200pF</td> <td>+5X</td> <td>50WV</td>	8200pF	+5X	50WV
R319, 320	L103Y214H10	Res, Carb, 180	+5X	1/W	Cap, El, <td>1800pF</td> <td>+5X</td> <td>50WV</td>	1800pF	+5X	50WV
R325, 326	L103Y214H25	Res, Carb, 3.3K	+5X	1/W	Cap, Poly, <td>22uF</td> <td>+50-10X</td> <td>16V</td>	22uF	+50-10X	16V
R327, 328	L103Y214H29	Res, Carb, 6.8K	+5X	1/W	Cap, Poly, <td>0.22uF</td> <td>+5X</td> <td>50V</td>	0.22uF	+5X	50V
R329, 330	L103Y214H59	Res, Carb, 880	+5X	1/W	Cap, Cer, <td>0.1uF</td> <td>+10X</td> <td>25WV</td>	0.1uF	+10X	25WV
R331	L103Y214H07	Res, Carb, 10M	+5X	1/W	Cap, Poly, <td>0.15uF</td> <td>+5X</td> <td>50WV</td>	0.15uF	+5X	50WV
R401, 402	L103Y214H07	Res, Carb, 100	+5X	1/W	Cap, El, <td>1uF</td> <td>+75-10X</td> <td>50V</td>	1uF	+75-10X	50V
R403, 404, 489, 490, 491, 492	L103Y214H47	Res, Carb, 220K	+5X	1/W	Cap, Cer, <td>47pF</td> <td>+5X</td> <td>50WV</td>	47pF	+5X	50WV
R405, 405	L103Y214H33	Res, Carb, 15K	+5X	1/W	Cap, El, <td>100uF</td> <td>+50-10X</td> <td>25V</td>	100uF	+50-10X	25V
R407, 408, 409, 410	L103Y214H23	Res, Carb, 39K	+5X	1/W	Cap, El, <td>100uF</td> <td>+50-10X</td> <td>25V</td>	100uF	+50-10X	25V
R411, 412	L103Y214H06	Res, Carb, 2.2K	+5X	1/W	Cap, El, <td>0.68uF</td> <td>+75-10X</td> <td>50V</td>	0.68uF	+75-10X	50V
R413, 414, 423, 424	L103Y214H29	Res, Carb, 68	+5X	1/W	Cap, Poly, <td>0.1uF</td> <td>+5X</td> <td>50WV</td>	0.1uF	+5X	50WV
R415, 416, 421, 422	L103Y214H20	Res, Carb, 6.8K	+5X	1/W	Cap, Cer, <td>100pF</td> <td>+5X</td> <td>50WV</td>	100pF	+5X	50WV
R417, 418, 419, 420	L103Y214H20	Res, Carb, 440	+5X	1/W	Cap, Poly, <td>0.12uF</td> <td>+5X</td> <td>50WV</td>	0.12uF	+5X	50WV
R425, 426, 427, 428, 429, 430, 431	L103Y214H21	Res, Carb, 1.5K	+5X	1/W	Cap, Poly, <td>0.018uF</td> <td>+5X</td> <td>50WV</td>	0.018uF	+5X	50WV
R432	L103Y214H66	Res, Carb, 18	+5X	1/W	Cap, El, <td>4.7uF</td> <td>+75-10X</td> <td>50V</td>	4.7uF	+75-10X	50V
R433, 434, 437, 438	L103Y214H17	Res, Carb, 680	+5X	1/W	Cap, Cer, <td>100pF</td> <td>+5X</td> <td>50WV</td>	100pF	+5X	50WV
R435, 436, 439, 440	L103Y214H20	Res, Carb, 1.2K	+5X	1/W	Cap, El, <td>1uF</td> <td>+75-10X</td> <td>50V</td>	1uF	+75-10X	50V
R441, 442, 445, 446	L103Y214H39	Res, Carb, 47K	+5X	1/W	Cap, Poly, <td>1200pF</td> <td>+5X</td> <td>50WV</td>	1200pF	+5X	50WV
R443, 444	L103Y214H11	Res, Carb, 220	+5X	1/W	Cap, Cer, <td>680pF</td> <td>+10X</td> <td>50WV</td>	680pF	+10X	50WV
R447, 448, 449, 450	U1055007H39	Res, Metal, 15K	+5X	1W	Cap, El, <td>47uF</td> <td>+50-10X</td> <td>10V</td>	47uF	+50-10X	10V
R451	U1035017H24	Res, Carb, 2.7K	+5X	1/W	Cap, El, <td>22uF</td> <td>+50-10X</td> <td>16V</td>	22uF	+50-10X	16V
R452	L103Y214H24	Res, Carb, 2.7K	+5X	1/W	Cap, El, <td>22pF</td> <td>+5X</td> <td>50WV</td>	22pF	+5X	50WV
R453, 454	L103Y214H16	Res, Carb, 560	+5X	1/W	Cap, Cer, <td>10uF</td> <td>+50-10X</td> <td>25V</td>	10uF	+50-10X	25V
R455, 456	L103Y214H19	Res, Carb, 1K	+5X	1/W	Cap, Cer, <td>15pF</td> <td>+5X</td> <td>50WV</td>	15pF	+5X	50WV
R457, 458	L103Y214H01	Res, Carb, 10	+5X	1/W	Cap, Poly, <td>0.1uF</td> <td>+5X</td> <td>50WV</td>	0.1uF	+5X	50WV
R459, 460	U1035140H60	Res, Carb, 330	+5X	1/W	Cap, El, <td>100uF</td> <td>+50-10X</td> <td>100V</td>	100uF	+50-10X	100V
R461, 462, 463, 464	U1035140H60	Res, Carb, 3.3	+5X	1/W	Cap, Cer, <td>150pF</td> <td>+5X</td> <td>50WV</td>	150pF	+5X	50WV
R465, 466, 467, 468	U1035140H06	Res, Carb, 68	+5X	1/W	Cap, Cer, <td>100pF</td> <td>+5X</td> <td>50WV</td>	100pF	+5X	50WV
R469, 470	U1035024H34	Res, Carb, 18K	+5X	1/W	Cap, Cer, <td>100pF</td> <td>+5X</td> <td>50WV</td>	100pF	+5X	50WV
R471, 472	U103Y214H62	Res, Carb, 1	+5X	1/W	Cap, Cer, <td>0.1uF</td> <td>+10X</td> <td>25WV</td>	0.1uF	+10X	25WV
R475, 476	U1035024H27	Res, Carb, 4.7K	+5X	1/W	Cap, Cer, <td>0.1uF</td> <td>+80-20X</td> <td>50WV</td>	0.1uF	+80-20X	50WV
R477, 478, 479, 480	L103Y214H07	Res, Carb, 100	+5X	1/W	Cap, Cer, <td>0.022uF</td> <td>+80-20X</td> <td>50WV</td>	0.022uF	+80-20X	50WV
R481, 482, 483, 484	L103Y214H15	Res, Carb, 470	+5X	1/W	Cap, El, <td>6800uF</td> <td>+50-10X</td> <td>50V</td>	6800uF	+50-10X	50V
R485, 486, 487, 488	U103S140H19	Res, Carb, 1K	+5X	1/W	Cap, Cer, <td>0.047uF</td> <td>+80-20X</td> <td>50WV</td>	0.047uF	+80-20X	50WV

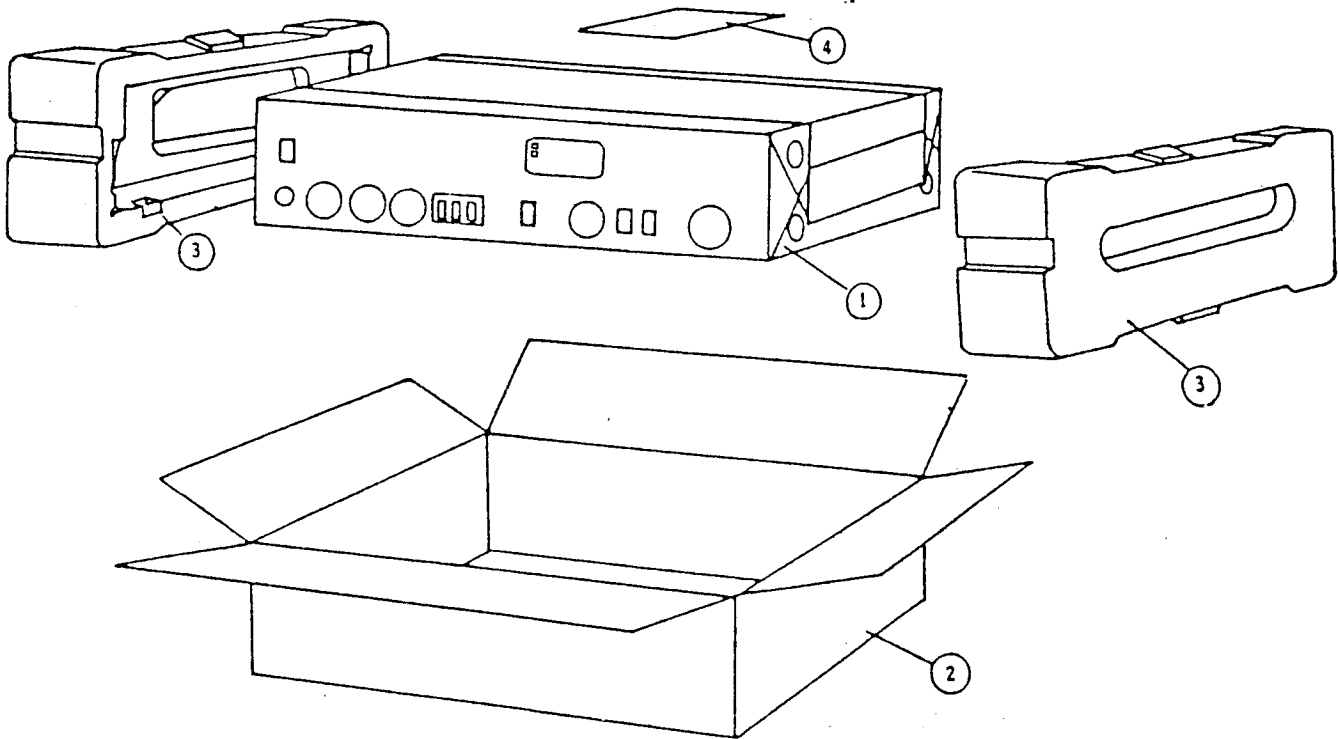
For Service Manuals Contact
 MAURITRON TECHNICAL SERVICES
 8 Cherry Tree Rd, Chinnor
 Oxon OX9 4QY
 Tel:- 01844-351694 Fax:- 01844-352554
 Email:- enquiries@mauritron.co.uk

SW501	L432Y035H01	SW-POWER	A1
SW501	L432Y035H01	SW-POWER	A2
SW501	L432Y035H01	SW-POWER	A
SW501	L432Y034H01	SW-POWER	B
SW501	L432Y034H01	SW-POWER	C1
SW501	L432Y034H01	SW-POWER	C
SW501	L432Y034H01	SW-POWER	B1
SW501	L432Y034H01	SW-POWER	C3
SW501	L432Y034H01	SW-POWER	C2
SW501	L432Y034H01	SW-POWER	A1
PT1	L350Y083H01	TRANS-POWER	A2
PT1	L350Y087H01	TRANS-POWER	A
PT1	L350Y086H01	TRANS-POWER	B
PT1	L350Y085H01	TRANS-POWER	C1
PT1	L350Y086H01	TRANS-POWER	B1
PT1	L350Y088H01	TRANS-POWER	C3
PT1	L350Y085H01	TRANS-POWER	C2
SW	L431Y013H01	SW-SLIDE	A1
SW	L431Y013H01	SW-SLIDE	A2
SW	L431Y016H01	SW-SLIDE	A
SW	L431Y013H01	SW-SLIDE	B
SW	L431Y013H01	SW-SLIDE	C1
SW	L431Y013H01	SW-SLIDE	C
SW	L431Y013H01	SW-SLIDE	B1
SW	L431Y013H01	SW-SLIDE	C3
SW	L431Y013H01	SW-SLIDE	C2
F503/F504	U283S017H17	FUSE	5A-UL
F503/F504	U283S017H17	FUSE	5A-UL
F503/F504	U283S017H17	FUSE	5A-UL
F503/F504	U283S022H28	FUSE	5A-SEMKO
F503/F504	U283S022H28	FUSE	5A-SEMKO
F503/F504	U283S022H28	FUSE	5A-SEMKO
F503/F504	U283S022H28	FUSE	5A-UL
F503/F504	U283S022H28	FUSE	5A-SEMKO
F503/F504	U283S022H28	FUSE	5A-SEMKO
F505/F506	U283S022H17	FUSE	1A-UL
F505/F506	U283S022H17	FUSE	1A-UL
F505/F506	U283S022H17	FUSE	1A-UL
F505/F506	U283S022H17	FUSE	1A-SEMKO
F505/F506	U283S022H17	FUSE	1A-SEMKO
F505/F506	U283S022H17	FUSE	1A-SEMKO
F505/F506	U283S022H17	FUSE	1A-UL
F505/F506	U283S022H17	FUSE	1A-UL
F501/F502	U283S022H22	FUSE	4A-UL
F501/F502	U283S022H22	FUSE	4A-UL
F501/F502	U283S022H22	FUSE	4A-UL
F501/F502	U283S022H22	FUSE	4A-SEMKO
F501/F502	U283S022H22	FUSE	4A-SEMKO
F501/F502	U283S022H22	FUSE	4A-SEMKO
F501/F502	U283S022H22	FUSE	4A-UL
F501/F502	U283S022H22	FUSE	4A-UL
F501/F502	U283S022H22	FUSE	4A-SEMKO
F501/F502	U283S022H22	FUSE	4A-SEMKO
F501/F502	U283S022H22	FUSE	4A-SEMKO
F501/F502	U283S022H22	FUSE	4A-SEMKO
F501/F502	U283S022H22	FUSE	4A-SEMKO
F501/F502	L230Y003H01	CONNECTOR	A2
F501/F502	L230Y003H01	CONNECTOR	B
F501/F502	L230Y003H01	CONNECTOR	C1
F501/F502	L230Y003H01	CONNECTOR	C
F501/F502	L230Y003H01	CONNECTOR	B1
F501/F502	L230Y003H01	CONNECTOR	C3
F501/F502	L230Y003H01	CONNECTOR	C2
F501/F502	L230Y003H01	CONNECTOR	A2
F501/F502	L230Y003H01	CONNECTOR	B
F501/F502	L230Y003H01	CONNECTOR	C1
F501/F502	L230Y003H01	CONNECTOR	C
F501/F502	L230Y003H01	CONNECTOR	B1
F501/F502	L230Y003H01	CONNECTOR	C3
F501/F502	L230Y003H01	CONNECTOR	C2

For Service Manuals Contact
MAURITRON TECHNICAL SERVICES
 8 Cherry Tree Rd, Chinnor
 Oxon OX9 4QY
 Tel: 01844-351694 Fax: 01844-352554
 Email: enquiries@mauratron.co.uk

80V	6800uF	+50-10%	Cap, El,	L180Y038H02	C509, 510
50V	0.047uF	+80-10%	Cap, Cer,	L140Y306H45	C511, 512
35V	330uF	+50-10%	Cap, El,	U182S022H51	C513, 514
25V	47uF	+50-10%	Cap, El,	L182Y322H37	C515, 516, 517, 518
50V	47uF	+50-10%	Cap, El,	L182Y322H67	C519
50V	4.7uF	+75-10%	Cap, El,	L182Y322H63	C520
400V	0.0047uF	+10%	Cap, Cer,	U140Y007H07	C521
	25K363(GR)		TR	L2600036H01	Q301, 302
	25C2240(GR)		TR	Q401, 402, 403, 404, 411, 412, 415	Q401, 402, 403, 404, 408, 409, 410, 413
	25A970(GR)		TR	Q416, 439, 440	Q416, 439, 440
	25D669A(C)		TR	Q417, 418, 423, 424, 437, 438	Q417, 418, 423, 424, 437, 438
	25C3423(Y)		TR	Q421, 422	Q421, 422
	25A1360(Y)		TR	Q425, 426, 435, 436	Q425, 426, 435, 436
	25B649A(C)		TR	Q427, 428	Q427, 428
	25D1047(E)		TR	Q429, 430	Q429, 430
	25B817(E)		TR	Q431, 432	Q431, 432
	25B826		TR	Q433, 434	Q433, 434
	25D1062		TR	Q501	Q501
	25C1815(GR)		TR	Q502	Q502
	25A1015(GR)		TR	D301, 302, 401, 402, 403, 404, 415	D301, 302, 401, 402, 403, 404, 415
	1N4148		DIODE	U2640037H01	D416, 425, 426, 427, 428
	U7-158L		DIODE-ZENER	L264C003H53	D405, 406
	U2-3.98		DIODE-ZENER	L264C003H16	D407, 408, 409, 410
	U7-4.7B		DIODE-ZENER	L264C003H20	D411, 412, 413, 414
	1SS81		DIODE	U264S010H01	D417, 518, 419, 420
	GF830(B)		DIODE	U2640022H01	D421, 422, 423, 424
	U7-8.2B(M)		DIODE-ZENER	L264C003H36	D431, 432, 433, 434
	10E1		DIODE	U264S003H01	D501
	U7-20R(M)		DIODE-ZENER	U264C003H63	D502, 503
	PBL403		DIODE-ZENER	L2640018H01	B0501
	PB153M		DIODE-ZENER	L2640017H01	B0502, 503
	SE-9421D (GRN)		LED,	L268Y026H01	LED
	SE-9431D (YEL)		LED,	L268Y017H01	LED
	NJM2043(D)		IC,	L361Y020H01	IC201
	NJM2043(D)		IC,	L262C002H01	IC301
	A-40		COIL, SPRING	L422Y001H14	L401, 402
	20X8+50XMM		BREAKER	VR201	BK-1,2
	10XC		VR,	VR301, 302	VR201
	810K		VR, ROTARY	VR401, 402	VR301, 302
	BIK		VR-SEMI	VR403, 404	VR401, 402
	CU/PHONO/TUNER/AUX		VR,	SW	SW
	LOW LEVEL LOUDNESS		SW-SELECT	SW	SW
	TAPE MONITOR		SW-PUSH	SW	SW
	PHONO		SW-PUSH	SW	SW
	TAPE/REC OUT PRE OUT/MAIN IN		SW-SLIDE	SW	SW
	TUNER/CD/AUX		SW-ROTARY	SW	SW
	HEAD PHONO		JACK-RCA	SW	SW
			JACK-RCA	SW	SW
			JACK-RCA	SW	SW
			JACK	SW	SW
			FUSE-HOLDER	SW	SW
			RADIATOR	SW	SW
			PIC	SW	SW
			PTN	SW	SW

PACKING DIAGRAM



For Service Manuals Contact
MAURITRON TECHNICAL SERVICES
 8 Cherry Tree Rd, Chinnor
 Oxon OX9 4QY
 Tel:- 01844-351694 Fax:- 01844-352554
 Email:- enquiries@mauritron.co.uk

ITEM	NUMBER	NAME	Q'TY
1	L831D002H01	Bag-Poly	1
2	L800D003H04	Carton Individual	1
3	L813A006H01	Styro Packing	2
4	L871B502H85	Instruction	1